

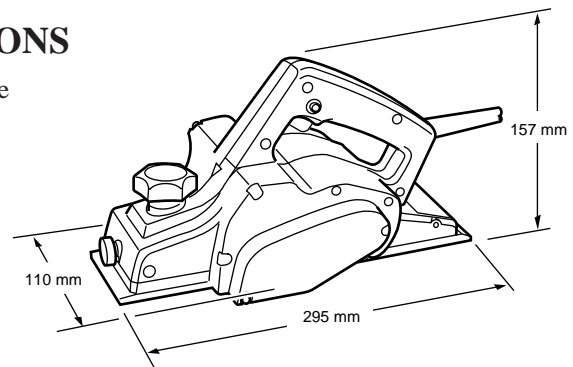
T ECHNICAL INFORMATION

Models No. ▶ 1901

Description ▶ MAKITA 82 mm Planer

CONCEPTION AND MAIN APPLICATIONS

Developed to expand the market for home application as the sister version of model 1900B.



▶ Specifications

Voltage (V)	Current (A)	Frequency(Hz)	Continuous rating input (W)
100	5	50 ~ 60	480

Rotation (R.P.M.)	16,000/min.
Max. cutting width	82 mm
Max. cutting depth	1 mm
Net weight	2.5 kg
Power supply cord	2.5 m

▶ Standard equipment

Guide rule, Blade grinder holder, Blade gauge, Box wrench, + screw driver, Fastening bolt

▶ Optional accessories

Water grindstone, T.C.T. Planer blade

The standard equipment for the tools shown may differ from country to country.