

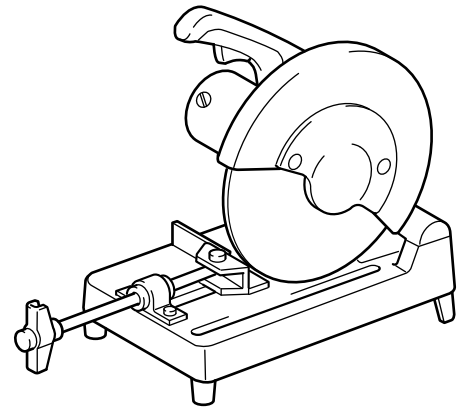
For Models ▶ 2414

Description ▶ 305MM/355MM PORTABLE CUT-OFF

CONCEPTION AND MAIN APPLICATIONS

The #2412N is the remodeled type of #2412 and the design is renewed, which has been developed while aiming at low cost, easy-to-use and safety to satisfy the request from the sales field.

Also, the #2414 is the sister version of it, wherein the grindstone with diameter 355 mm is installed compared with the #2412N with 305 mm to cope with the users' demand for much larger diameter grindstone.



► Specifications

Motor		Series commutator motor
Voltage		Single phase 100V
Cycle		50/60Hz
Consumed power		1450W
No Load Speed		3800r.p.m
Wheel Dia. ϕ	#2412N	305mm
	#2414	355mm
Max. cutting capacities	at 90 degrees	ϕ 100mm W 190 mm
	at 45 degrees	ϕ 100mm W 100 mm
Net Weight	#2412N	15.7kg
	#2414	17kg
Cord length		5m

► Standard equipment

- #2412N Box wrench 17 --- 1pc.
Cut-off-wheel 305 ---1pc.
- #2414 Box wrench 17 --- 1pc.
Cut-off-wheel 355 ---1pc.

► Optional accesories

- Cut-off-wheel 305(5-pc.--- one set)
- Cut-off-wheel 355 (5-pc.--- one set)