

TECHNICAL INFORMATION



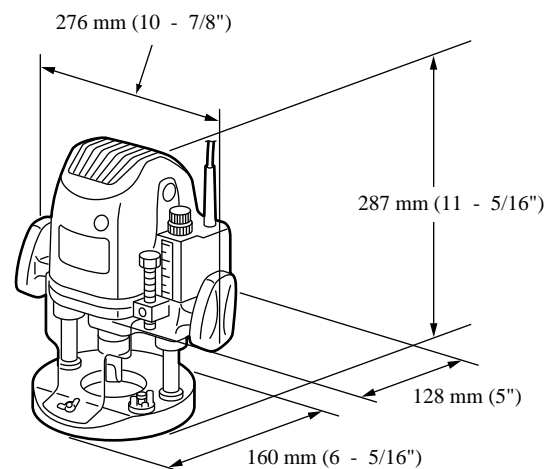
New Tool

Models No. ▶ 3612BR

Description ▶ 12 mm (1/2") Router

CONCEPTION AND MAIN APPLICATIONS

Developed with powerfull motor and for more acuracy.
Model 3612BRA has an electric brake feature.



► Specifications

Voltage (V)	Current (A)	Cycle (Hz)	Continuous Rating (W)		Max. Output(W)
			Input	Output	
100	16.8	50-60	1,600	1,100	1,850
115	14.6	50-60	1,600	1,100	1,850
200	8.4	50-60	1,600	1,100	1,850
220	7.7	50-60	1,600	1,100	1,850
230	7.3	50-60	1,600	1,100	1,850
240	7.0	50-60	1,600	1,100	1,850

No Load Speed	23,000 P/min.
Collet Chuck Capacity	12mm or 1/2"
Plunge Capacity	0 - 65 mm (2-9/16")
Net Weight	5.7 kg (12.5lbs)

► Standard equipment

Trimmer guide assembly, Straight guide, Templet guide, Guide holder assembly, Collet sleeve 6 mm and 8 mm or 1/4" and 3/8", Straight bit (carbide-tipped), Wrench 8, 24

► Optional accessories

Various kinds of router bits with 12 mm or 1/2" shank, Templet guide 10, 11, 12, 13, 16, 20, 27, 29, 30, 40, Templet guide adapter 30, Collet sleeve 6, 8, 1/4", 3/8", Vacuum head, Router stand