

T ECHNICAL INFORMATION

Makita

New Tool

For Models ▶ 3612C

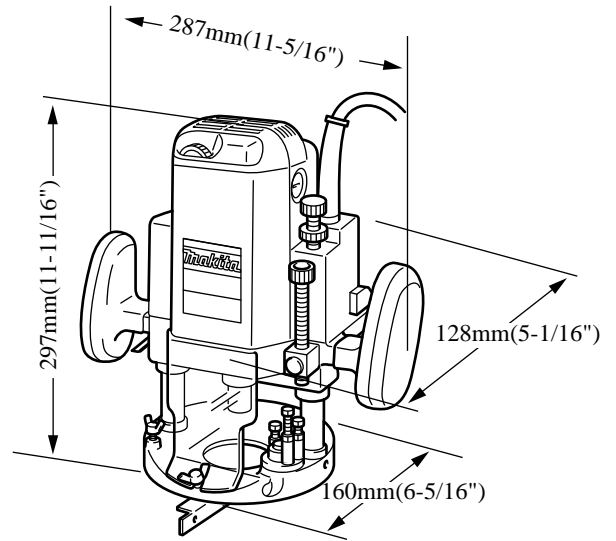
Description ▶ 12mm(1/2") Electronic Router
(Plung type)

CONCEPTION AND MAIN APPLICATIONS

Model 3612C is an improved version of the existing Model 3612BR. You can do your work more efficiently because this router is more powerful and has electronic speed control, variable speed, electric brake and soft start features.

(Note)

This router is offered to all countries and areas except England, France, Italy, Netherlands, Belgium, Germany, Austria, Spain, Switzerland, Norway, Sweden, and Finland.



► Specifications

Voltage (V)	Current(A)	Cycle(Hz)	Continuous Rating(W)		Max. output(W)
			Input	Output	
100	15.0	50/60	1,430	1,000	2,600
115	15.0	50/60	1,650	1,000	2,600
200	7.5	50/60	1,430	1,000	2,600
220	8.9	50/60	1,850	1,400	3,400
230	8.5	50/60	1,850	1,400	3,400
240	8.1	50/60	1,850	1,400	3,400

Collet Capacity	12mm or 1/2"
No Load Speed	9,000-23,000R/min
Plunge Capacity	0-60mm (2-3/8")
Base Diameter	160mm (6-1/4")
Net Weight	6.0kg (13.2lbs)

► Standard equipment

Straight Guide
Guide Holder Assembly
Collet Sleeve (6mm or 1/4")
Collet Sleeve (8mm or 3/8")
Wrench 24, 8
Straight Bit

► Optional accesories

Various types of Router Bits
Various sizes of Templet Guide
Trimmer Guide Assembly
Templet Guide Adapter 30
Various sizes of Collet Sleeve
Vacuum Head Set
Router Stand