

TECHNICAL INFORMATION



PRODUCT

P 1 / 3

Model No. ▶ 3707, 3707F / 3708, 3708F

Description ▶ Trimmers

CONCEPT AND MAIN APPLICATIONS

The above models have slimmer bodies for easy to grip, comparing with the existing model 3703 and 3704.

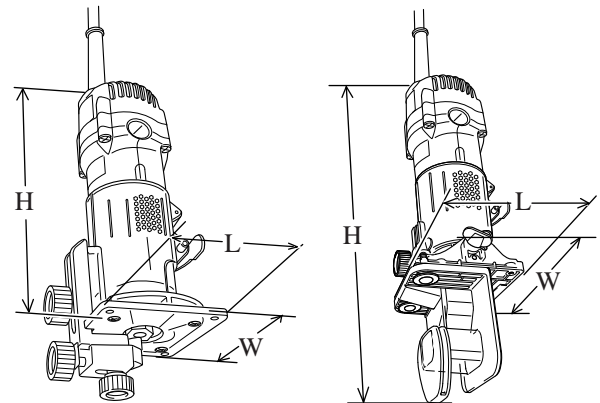
3707 : Adjusting roller for fine-adjustment of cutting depth precisely.

3707F : In addition to 3707's feature, LED Job Light is installed for lighting up at working point.

3708 : *Adjusting roller for fine-adjustment of cutting depth precisely.

*Adjustable trimmer base angle for desired cutting angle.

3708F : In addition to the features of 3708, LED Job Light is installed for lighting up at working point.



3707, 3707F

3708, 3708F

Dimensions : mm (")		
Model No.	3707, 3707F	3708, 3708F
Length (L)	90 (3-1/2)	103 (4-1/16)
Height (H)	204 (8)	308 (12-1/2)
Width (W)	90 (3-1/2)	117 (4-13/16)

Specification

Voltage (V)	Current (A)	Cycle (Hz)	Continuous Rating (W)		Max. Output(W)
			Input	Output	
110	4.2	50/60	440	240	370
120	3.8	50/60	440	240	370
230	2.0	50/60	440	240	370
240	1.9	50/60	440	240	370

Model No.)	3707	3707F	3708	3708F
No load speed : (min -1= rpm)	35,000		35,000	
Collet capacity	6 mm or 6.35 mm (1/4")		6 mm or 6.35 mm (1/4")	
Stroke of trimmer head : mm (")	35 (1-3/8)		35 (1-3/8)	
Adjustment of trimmer base angle			0° - 45°	
LED Job Light	No	Yes	No	Yes
Protection from electric shock	by double insulation		by double insulation	
Net weight :Kg (lbs)	1.2 (2.6)		1.3 (2.9)	
Cord length : m (ft)	2.5 (8.2)		2.5 (8.2)	

Standard equipment

- * Trimmer guide assembly 1 pc.
- * Straight guide 1 pc.
- * Templet guide 1 pc.
- * Wrench 10 1 pc.
- * Wrench 17 1 pc.
- * T.C.T. Straight bit 1 pc.

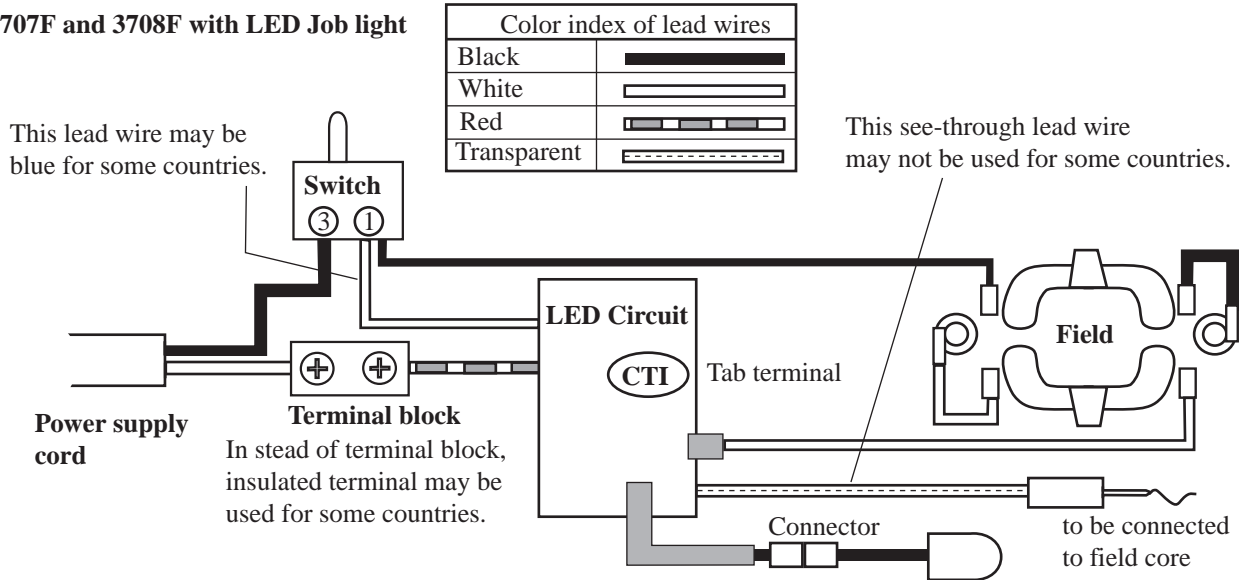
< Note > The standard equipment for the tool shown may differ from country to country.

Optional accessories

- * Various router bits
- * Straight guide
- * Trimmer guide assembly
- * Trimmer shoe
- * Collet cone 6mm
- * Collet cone 1/4"
- * Templet guide
- * Trimmer base assembly
- * Flexible hose
- * Joint

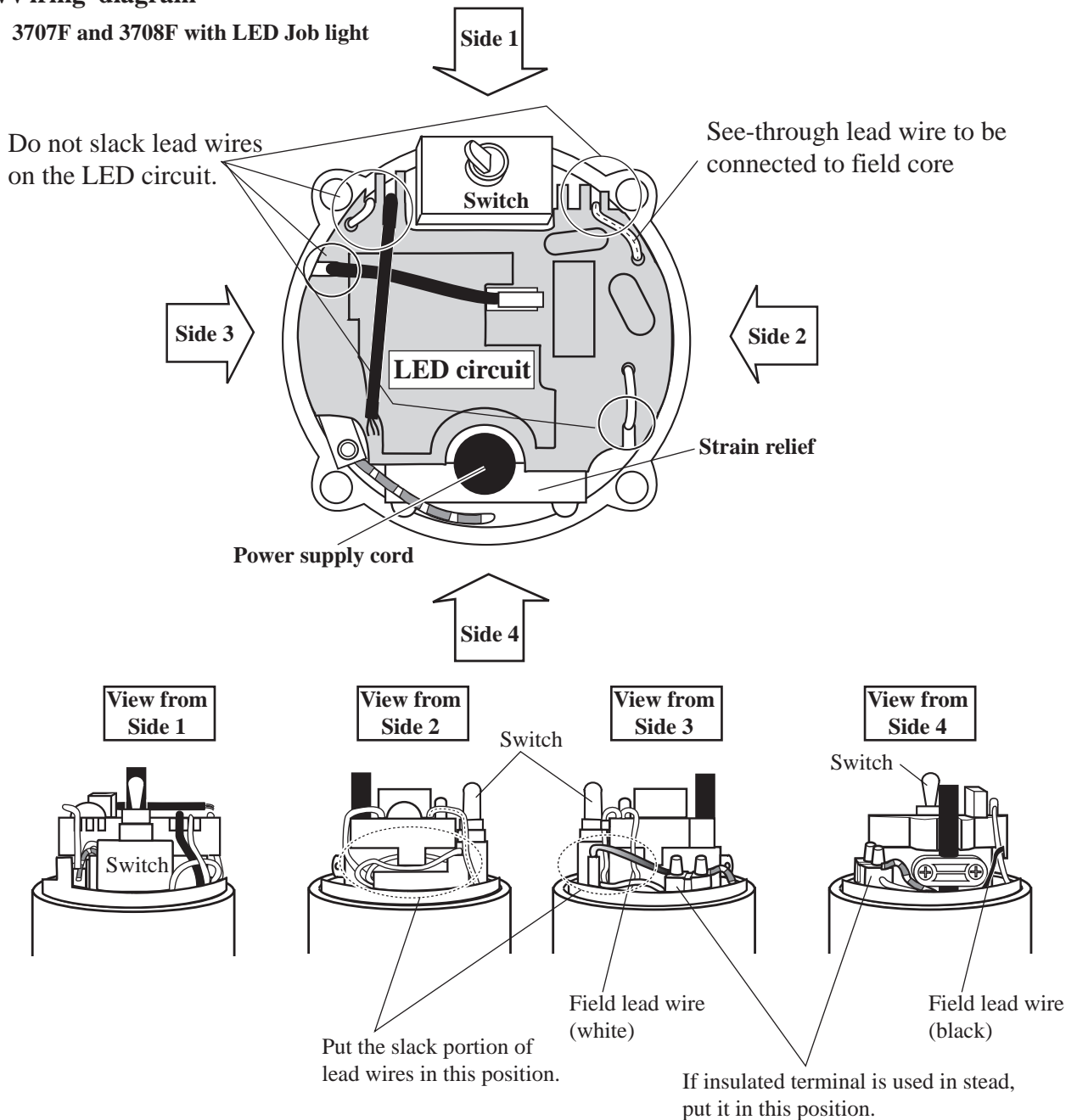
▶ Circuit diagram

3707F and 3708F with LED Job light



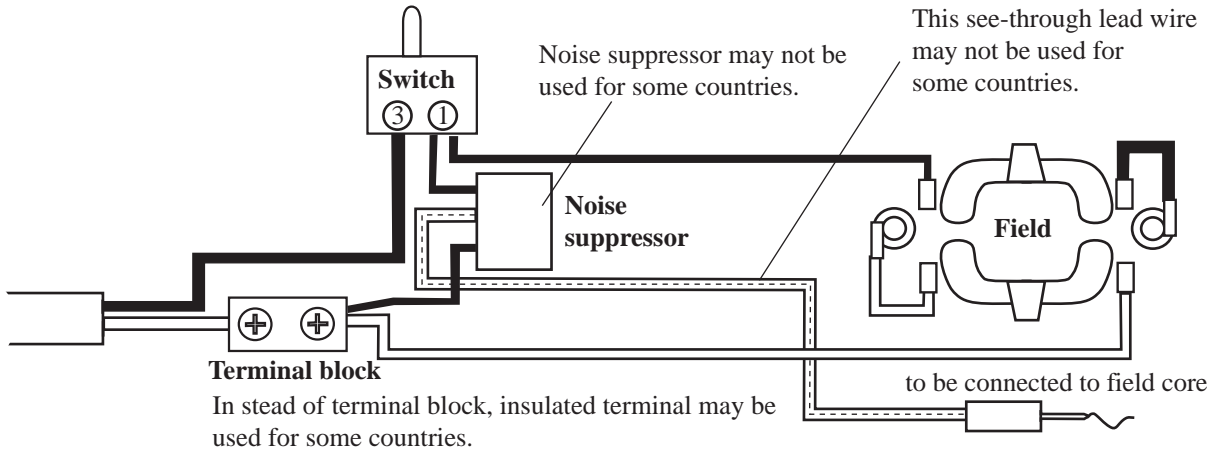
▶ Wiring diagram

3707F and 3708F with LED Job light



▶ Circuit diagram

3707 and 3708 without LED Job light



▶ Wiring diagram

Noise suppressor has to be so installed in the case that its lead wire side is located on left side, if it is installed.

