

# TECHNICAL INFORMATION



PRODUCT

P 1 / 3

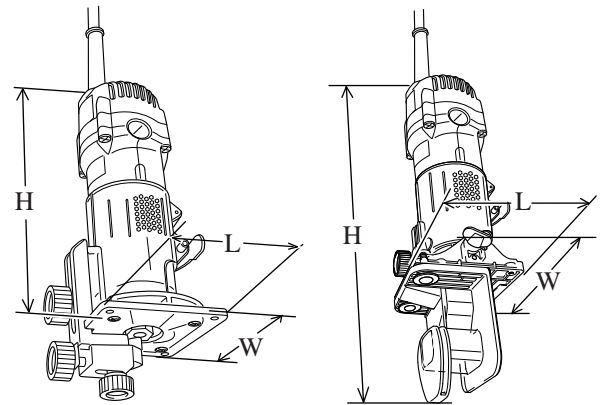
**Model No.** ▶ 3707, 3707F / 3708, 3708F

**Description** ▶ Trimmers

## CONCEPT AND MAIN APPLICATIONS

The above models have slimmer bodies for easy to grip, comparing with the existing model 3703 and 3704.

- 3707 : Adjusting roller for fine-adjustment of cutting depth precisely.
- 3707F : In addition to 3707's feature, LED Job Light is installed for lighting up at working point.
- 3708 : \*Adjusting roller for fine-adjustment of cutting depth precisely.  
\*Adjustable trimmer base angle for desired cutting angle.
- 3708F : In addition to the features of 3708, LED Job Light is installed for lighting up at working point.



3707, 3707F

3708, 3708F

Dimensions : mm ( " )		
Model No.	3707, 3707F	3708, 3708F
Length ( L )	90 (3-1/2)	103 (4-1/16)
Height ( H )	204 (8)	308 (12-1/2)
Width ( W )	90 (3-1/2)	117 (4-13/16)

## ► Specification

Voltage (V)	Current (A)	Cycle (Hz)	Continuous Rating (W)		Max. Output(W)
			Input	Output	
110	4.2	50/60	440	240	370
120	3.8	50/60	440	240	370
230	2.0	50/60	440	240	370
240	1.9	50/60	440	240	370

Model No.)	3707	3707F	3708	3708F
No load speed : (min -1= rpm)	35,000		35,000	
Collet capacity	6 mm or 6.35 mm (1/4")		6 mm or 6.35 mm (1/4")	
Stroke of trimmer head : mm ( " )	35 (1-3/8)		35 (1-3/8)	
Adjustment of trimmer base angle	/		0° - 45°	
LED Job Light	No	Yes	No	Yes
Protection from electric shock	by double insulation		by double insulation	
Net weight :Kg (lbs )	1.2 (2.6)		1.3 (2.9)	
Cord length : m (ft)	2.5 (8.2)		2.5 (8.2)	

## ► Standard equipment

- \* Trimmer guide assembly ..... 1 pc.
- \* Straight guide ..... 1 pc.
- \* Templet guide ..... 1 pc.
- \* Wrench 10 ..... 1 pc.
- \* Wrench 17 ..... 1 pc.
- \* T.C.T. Straight bit ..... 1 pc.

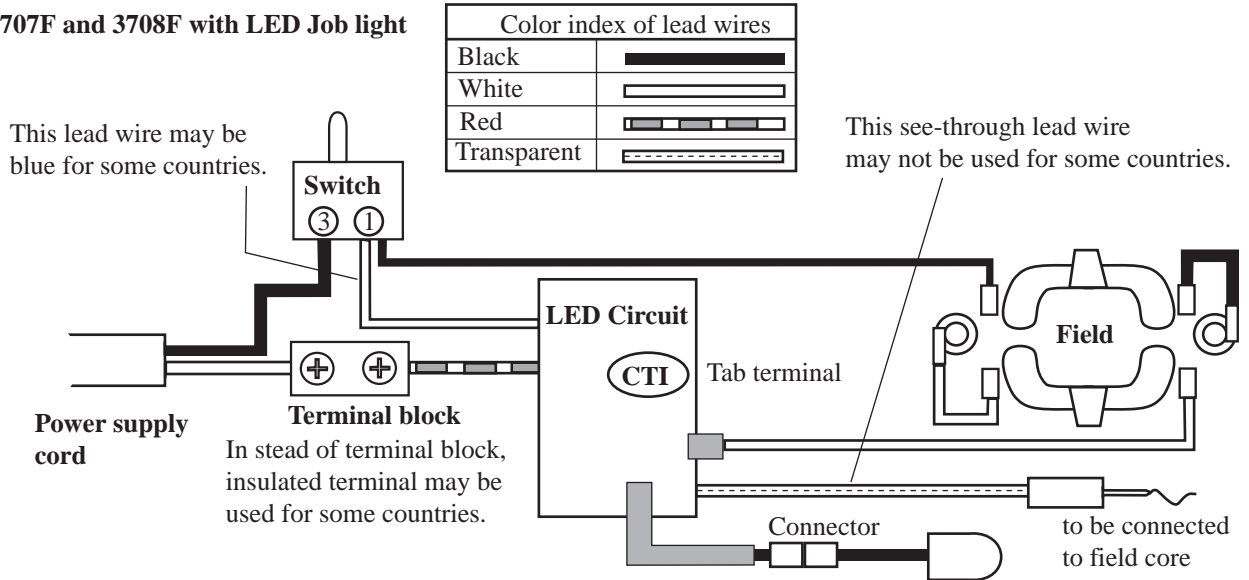
< Note > The standard equipment for the tool shown may differ from country to country.

## ► Optional accessories

- \* Various router bits
- \* Straight guide
- \* Trimmer guide assembly
- \* Trimmer shoe
- \* Collet cone 6mm
- \* Collet cone 1/4"
- \* Templet guide
- \* Trimmer base assembly
- \* Flexible hose
- \* Joint

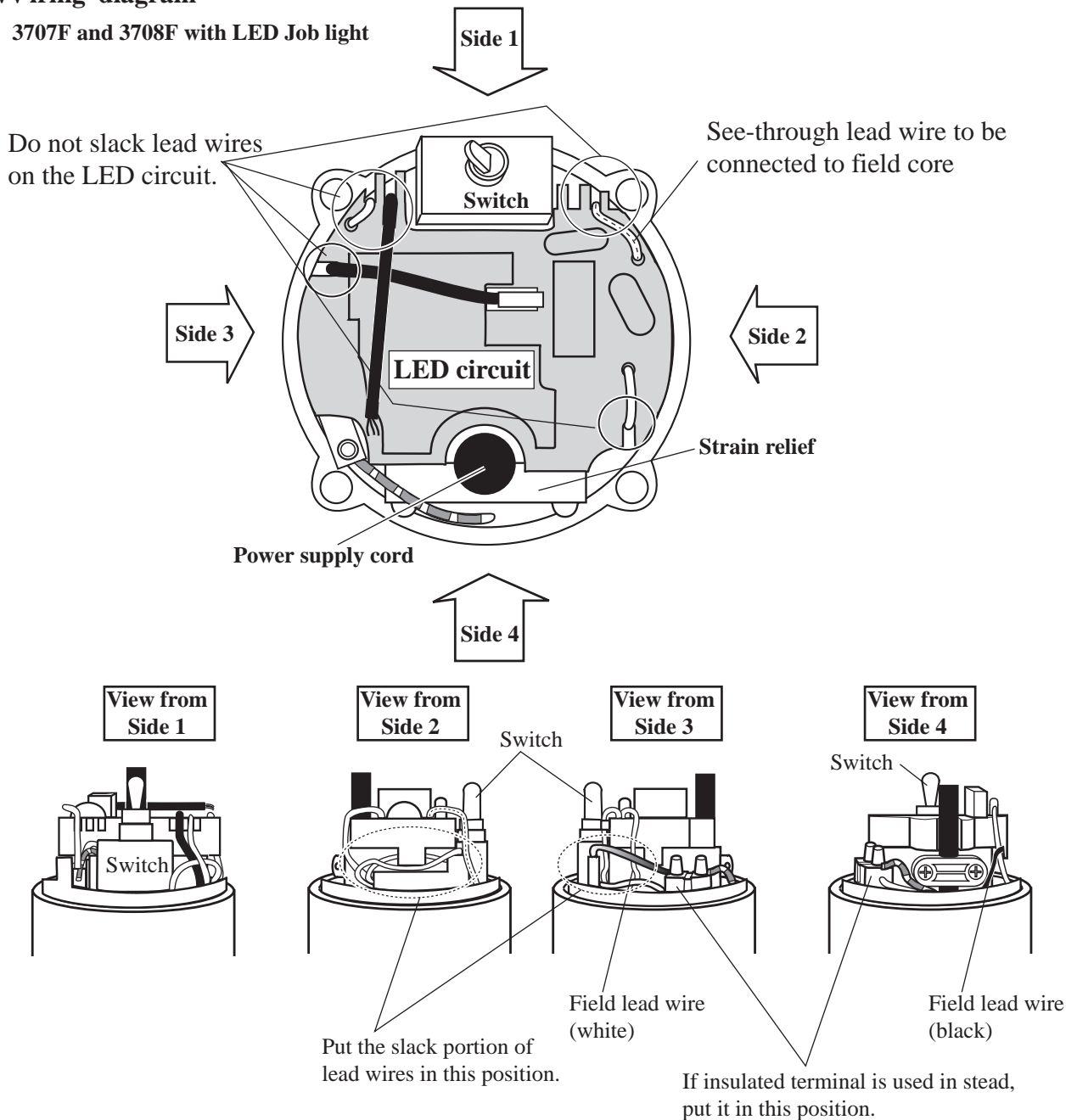
## ▶ Circuit diagram

3707F and 3708F with LED Job light



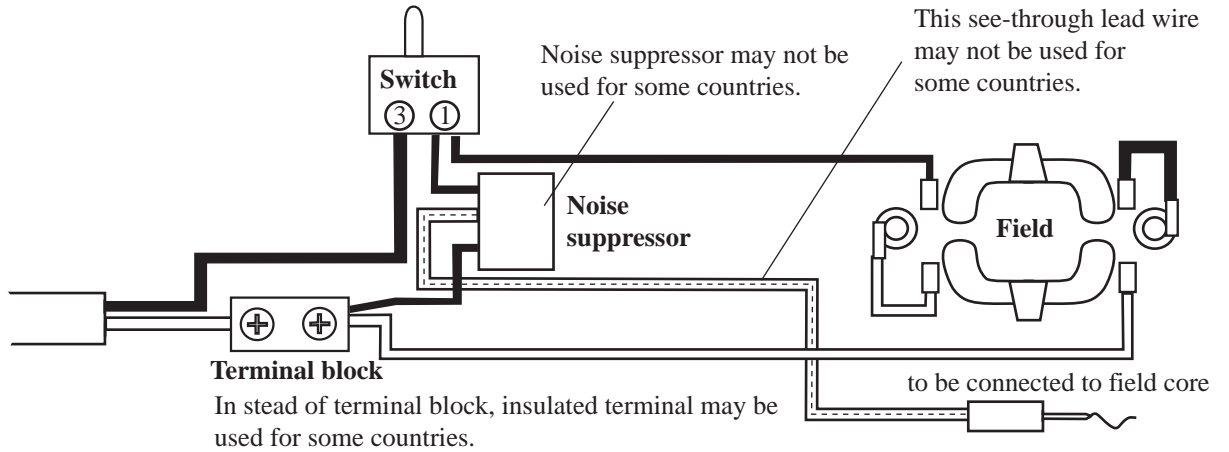
## ▶ Wiring diagram

3707F and 3708F with LED Job light



## ▶ Circuit diagram

3707 and 3708 without LED Job light



## ▶ Wiring diagram

Noise suppressor has to be so installed in the case that its lead wire side is located on left side, if it is installed.

