

T ECHNICAL INFORMATION



New Tool

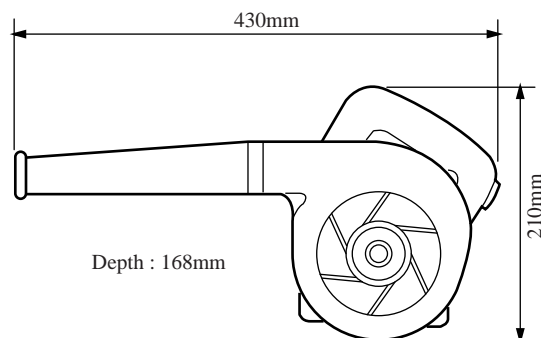
Models No. ▶ 4014N, 4014NV

Description ▶ Blower

CONCEPTION AND MAIN APPLICATIONS

Newly designed 4014N & 4014NV have compacted and less weight with more power than 4014B.

Model 4014NV is with variable speed switch in order to control blowing air volume.



► Specifications

Voltage(V)	Current(A)	Frequency(Hz)	Continuous rating input(W)	Rated output(W)	Max. output(W)
100	6.3	50-60	600	350	380
115	5.5	50-60	600	350	380
200	3.2	50-60	600	350	380
220	2.7	50-60	600	350	380
240	2.6	50-60	600	350	380

No load speed	16,000 min.(4014N) 0-16,000 min. (4014NV)
Air volume	2.8m /min.
Air pressure	560 mm (Water column mm)
Net Weight	1.75 kg
Power supply cord	5 m

► Optional accessories

Long nozzle

Dust bag

► **Repair**

Conform to the 4014B