

Models No. ▶ 4071D

Description ▶ MAKITA Cordless cleaner

CONCEPTION AND MAIN APPLICATIONS

This is the cartridge-type cordless cleaner using the Makita battery 7000 as the power source. Other than the differences in charging capacity, products' features are the same as the one for 4070D. Since this machine is mainly used as the set unit with the cordless drill as shown below, the battery 7000 is excluded from the parts of 4071D.

(Note : It should be regarded in the same manner also for 4071D unit parts specifications.)

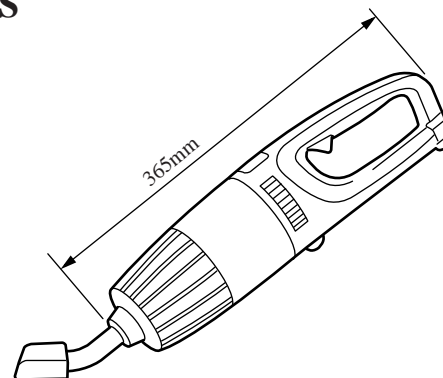
For the set products with the battery drill,

Set of 6010DW and 4071D---DK1001

[MAKITA Cordless drill kit II]

Set of 6012DW and 4071D ---DK1201

[MAKITA 2-speed cordless drill kit II]



▶ Specifications

Voltage(V)	Current(A)	Frequency(Hz)	Consumed power(W)	Rated output(W)	Max. output(W)
7.2	-	-	-	-	-

Moter	DC 7.2V magnet motor
No load speed	13500/min.
Nozzle mounting diameter (mm)	32
(Peak air blow)(m ³ /min.)	<=Note : The values in () shows the reference values.
(Sealed suction)	125 mm in water column <=Note : The values in () shows the reference values.
(Dust collecting efficiency)(W)	<=Note : The values in () shows the reference values.
Dust collecting capacity (ml)	600
Continuous operation time	8-10-min
Weight(kg)	0.6(Battery weight excluded)

▶ Standard equipment

- Nozzle --- One piece
- Sash nozzle --- One piece
- Extension pipe --- One piece

▶ Optional accessories

- MAKITA Battery 7000
- Flexible hose
- MAKITA fast charger DC7000
- MAKITA 12V fast charger DC7012(Automotive)

▶ **Repair**

Same as 4070D