

# T ECHNICAL INFORMATION

**Models No.** ▶ 4300D, 4300DW

**Description** ▶ MAKITA Cordless Jigsaw

## CONCEPTION AND MAIN APPLICATIONS

Developed as the one of cordless series.  
compact cordless jigsaw can be easily  
used in replace of hand saws.

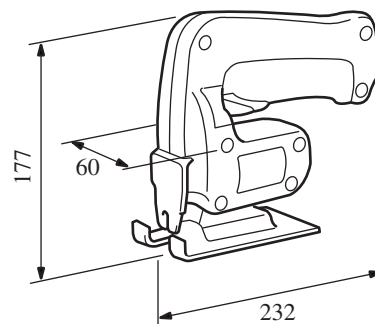
This 4300 DW comprises

4300D(Makita battery jigsaw);

DC9000(Fast charger) ;

Battery 9000.

(The battery is not included in the 4300D.)



### ► Specifications

Voltage(V)	Current(A)	Frequency(Hz)	Continuous rating input(W)	Rated output(W)	Max. output(W)
9.6	10A	-	-	70	130

<b>Motor</b>	DC 9.6 V magnet motor	
<b>No load speed</b>	2,700-stroke/min.	
<b>Weight(kg)</b>	1.5(Battery included)	
<b>Wood</b>	<b>Soft material</b>	24 mm
	<b>Hard material</b>	12 mm
<b>Soft steel plate(mm)</b>	1.2	
<b>Bevel cutting</b>	45 in left/right	

### ► Standard equipment

- (1) Hex spanner 3
- (2) Jigsaw blade 31-One piece (for steel, tough plastics)
- (3) Jigsaw blade 39-One piece(for wood)

### ► Optional accessories

- (1) Rule holder
- (2) Hex. socket Hd. Bolt M5x10
- (3) Circular guide assembly
- (4) Guide rule
- (5) Battery 9000