

T ECHNICAL INFORMATION



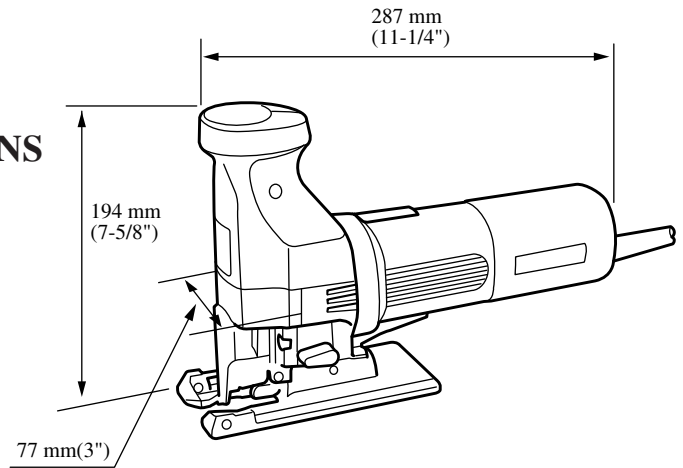
New Tool

Models No. ▶ 4305T

Description ▶ JIG SAW

CONCEPTION AND MAIN APPLICATIONS

Model 4305T is a variable speed orbital action jig saw with new body-grip and knob design, also toolless type. One straight and three different orbital cutting actions allow fast, smooth cutting in steel, wood, plastics, aluminum, etc.



► Specifications

Voltage (V)	Current (A)	Cycle (Hz)	Continuous Rating (W)		Max. Output(W)
			Input	Output	
100	6.0	50/60	580	320	600
115	5.5	50/60	600	350	600
220	2.9	50/60	600	350	600
230	2.7	50/60	600	350	600
240	2.6	50/60	600	350	600

Length of stroke		26mm(1")
Cutting capacities	Wood	110mm (4-3/8") when using the jig saw blade B-16L.
	Mild steel	10mm (3/8")
	Aluminum	20mm (13/16")
	Stroke per minute	500-3,000
	Net weight	2.3 kg (5.1 lbs.)

► Standard equipment

Jig Saw Blade B-10, BR-13, B-22 (2 pcs. each), Plastic Cover, Plastic Base Plate, Anti-Splintering Device, Hex Wrench 3

► Optional accessories

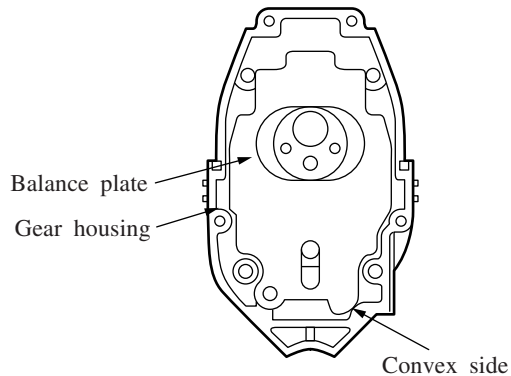
Circular Guide, Guide Rule (Rip Fence), Vacuum Head, Hose, Various types of Jig Saw Blades

The standard equipment for the tools shown may differ from country to country.

► Repair

Repair in the same way as 4304 and 4305 other than shown below.

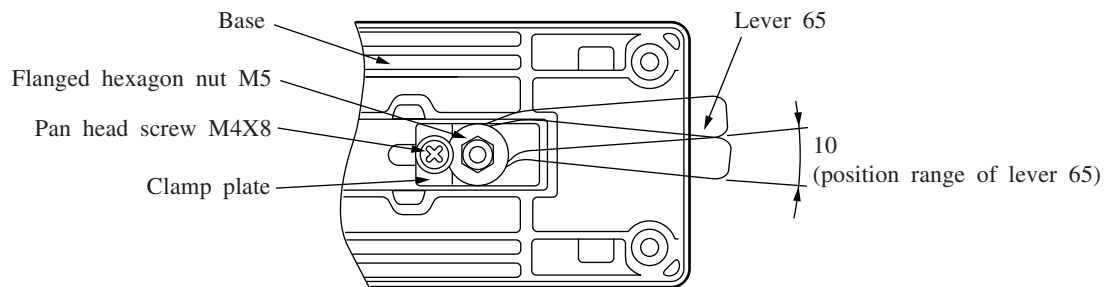
*Assembling of Balance plate Assemble as shown on the right figure as the balance plate has directions in left/right.



*Assembling of Base

When fixing the base, fasten the flanged hexagon nut M5 in a way that the lever 65 can be placed within the position range shown on the figure. (Reference : 45-55kgf/cm(3.3-4.0ft-lbs))

Use the pan head screw M4X8 to prevent the flanged hexagon nut M5 from turning.



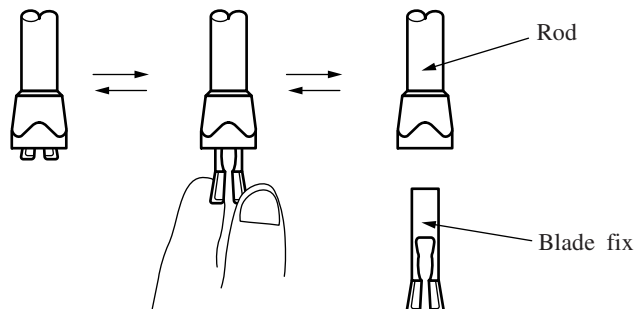
* Disassembling/assembling of blade fix(see the below figure)

Disassembling of the blade fix

1. Turn the blade lever(4304T) or blade thumb screw(4305T) in left turning direction until they have stopped turning.
2. Turn in left the blade fix protruded over the rod to remove the blade fix.

Assembling of the blade fix

1. Make sure that the blade lever or the blade thumb screw has been turned in left turning direction until stopped in turning.
2. Screw the blade fix into the rod in 1/4-1 turn.
3. Pick up the blade fix by fingers while using care not to turn it and turn in right turning direction the blade lever or the blade thumb screw to set them into the rod.



► Circuit drawing

Same as 4304 and 4305.