

T ECHNICAL INFORMATION



New Tool

Models No. ▶ 4323

Description ▶ Jig Saw

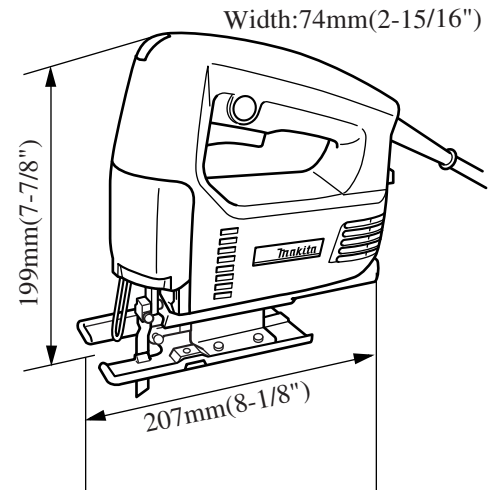
CONCEPTION AND MAIN APPLICATIONS

These jig saws are designed to be used for light work.

Their brief benefits are;

- *Least vibration among same class models
- *More comfortable
by large trigger switch, slidable dust cover and positive stop at 45 bevel cut
- *Chip/sawdust can be collected
by connecting to vacuum cleaner

Model	Variable speed	Jig Saw Blade
4322	No	B-type
4323	Yes	B-type
4322M	No	Makita-type
4323M	Yes	Makita-type



► Specifications

Voltage (V)	Current (A)	Cycle (Hz)	Continuous Rating (W)		Max. Output(W)
			Input	Output	
100	4.2	50/60	400	225	380
120	3.7	50/60	400	225	380
220	1.9	50/60	400	225	380
230	1.8	50/60	400	225	380
240	1.8	50/60	400	225	380

Strokes per minute		4322/4322M	3100spm
		4323/4323M	500 - 3100spm
Max. cutting capacities	Wood	4322/4323	65mm(2-9/16")
		4322M/4323M	40mm(1-9/16")
	Soft steel		6mm(1/4")
Net weight			18Kg(4.01bs)
Cord length			2.0m(6.6ft)

► Standard equipment

- Jig Saw Blade B-10 ----- 1 pc. (4322/4323)
- Jig Saw Blade No.10----- 1pc. (4322M/4323M)
- Hex. Wrench 3----- 1pc.

<Note>The standard equipment may differ from country to country.

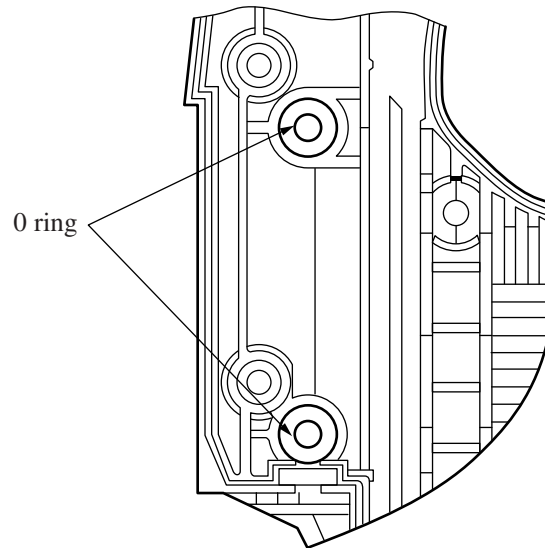
► Optional accessories

- Guide Rule Set
- Kerf Board
- Hose Complete 28-1.5
- Hose Complete 28-3.0
- Jig Saw Blade No.51, SB, 59, B-10-19, B-21-27, B-16L, BR-13 (4322/4323)
- Jig Saw Blade No.1-5,8-10, 16, 17,41,42,BR-3 (4322M/4323M)

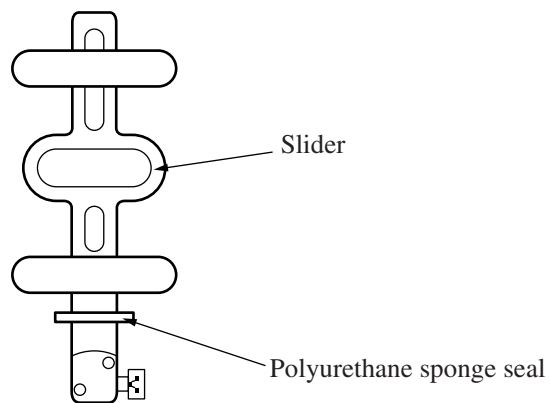
The standard equipment for the tools shown may differ from country to country.

► Repair

When assembling the housings R/L, securely insert the O ring into the deepest of the housing while using care not to drop the O ring at housing R side.



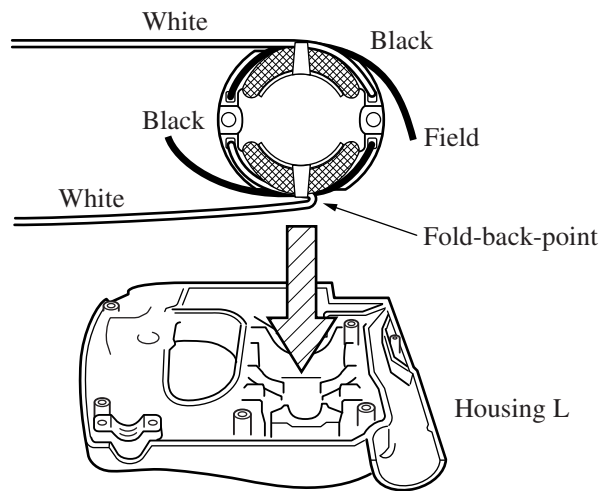
Use care that the polyurethane sponge seal may not be caught in when assembling the housing R/L.



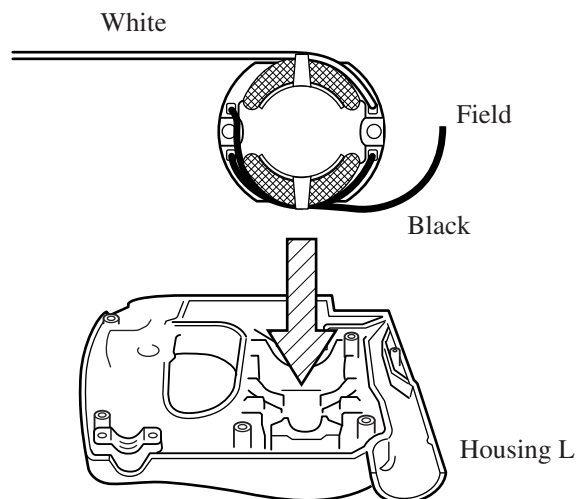
Cautions in replacing the field :

Set the field on the housing L in a direction shown on the below figure.

<Low Voltage Motor>



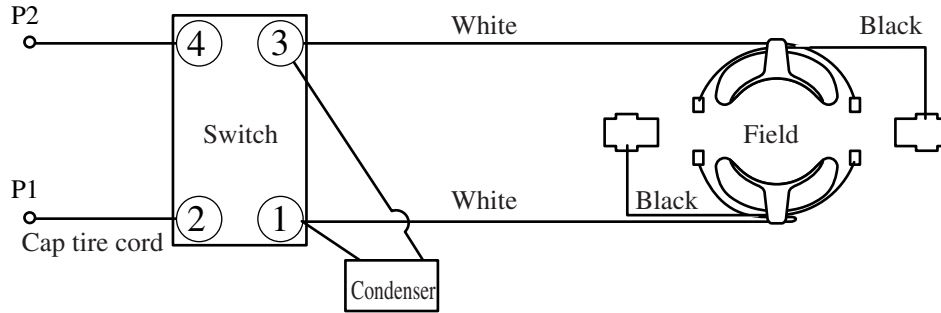
<High Voltage Motor>



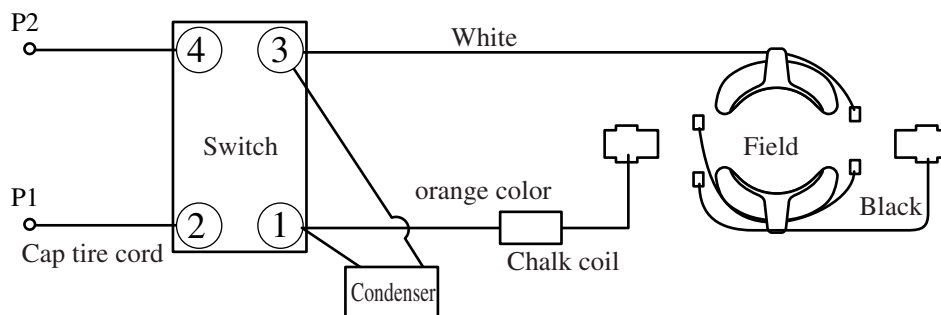
► Circuit drawing

<4322, M434>

[Low Voltage]

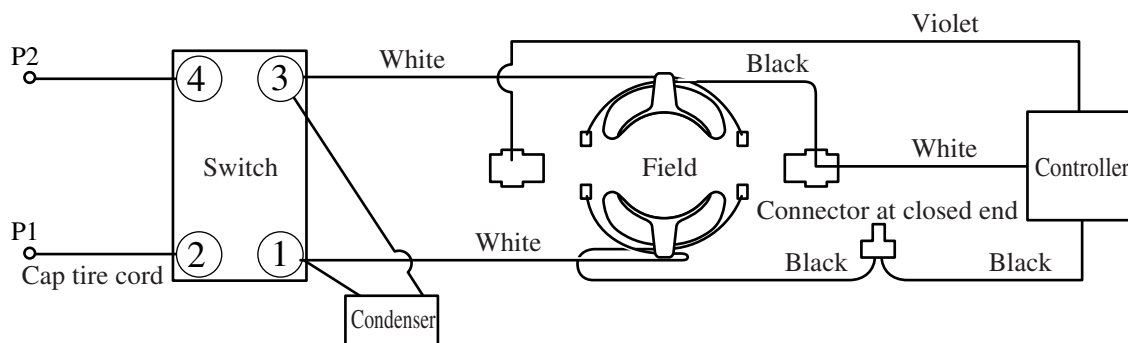


[High Voltage]

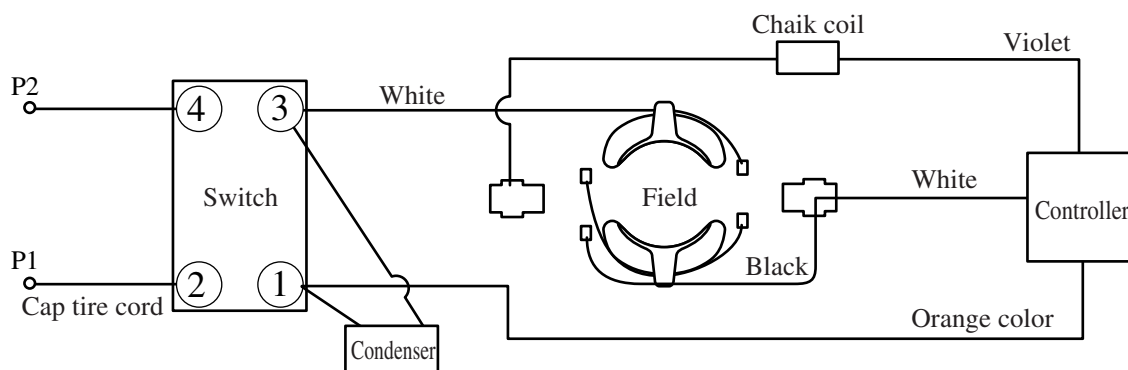


<4323>

[Low Voltage]



[High Voltage]



Note : The condenser and chalk coil are not used in some areas.

The M434 is only for 100V.