

T ECHNICAL INFORMATION



New Tool

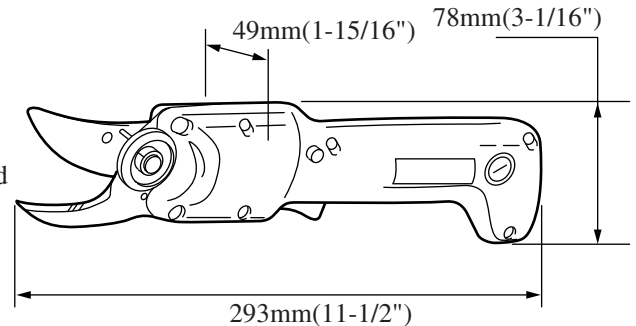
Models No. ▶ 4603D/DW

Description ▶ Battery-Powered Pruning Shear

CONCEPTION AND MAIN APPLICATIONS

Improved version of the existing Model 4602D/DW.

Its cutting performance is much improved as new type blades are employed. It is ideal for easy pruning of shrubs, vines or light branch trimming. Model 4603D is sold without a battery and a fast charger. Model 4603DW includes a battery 1401 and a fast charger DC1401.



▶ Specifications

DC Magnet Motor 14.4 V	
Max. Cutting Capacity	25 mm (1") in diameter
Strokes per Minutes	100
Net Weight	1.0 kg (2.3 lbs.)

▶ Standard equipment

Model 4603D :None

Model 4603DW: Fast Charger DC1401, Battery 1401, Oil Supply, Hex Wrench 3, Hex Wrench 4, Diamond File 140-170, Socket Wrench 13, Holster, Torsion Spring 25, Shear Blade (U), Steel Carrying Case

▶ Optional accessories

Fast Charger DC1401, Battery 1401, Shear Blade (U), Shear Blade (L), Diamond File 140-170

The standard equipment for the tools shown may differ from country to country.