

# TECHNICAL INFORMATION



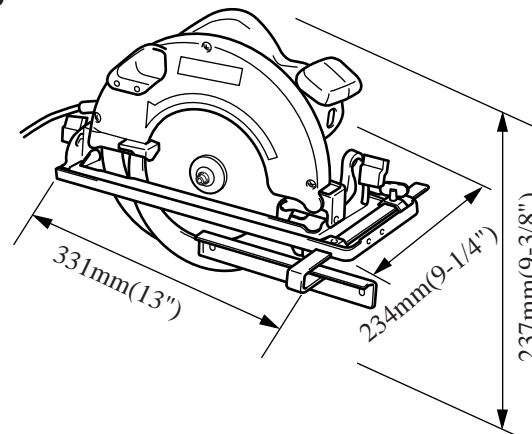
New Tool

**Models No.** ▶ 5603R

**Description** ▶ 165 mm (6-1/2") Circular Saw

## CONCEPTION AND MAIN APPLICATIONS

Model 5603R is a redesigned version of the existing Models 5600BR and SR1600. It is equipped with a riving knife, larger base, more efficient chip/sawdust ejection port, etc. It complies with CENELEC Standard.



### ► Specifications

Voltage (V)	Current (A)	Cycle (Hz)	Continuous Rating (W)		Max. Output(W)
			Input	Output	
100	11.5	50/60	1,100	520	1,650
115	10.0	50/60	1,100	520	1,650
220	5.2	50/60	1,100	520	1,650
230	5.0	50/60	1,100	520	1,650
240	4.8	50/60	1,100	520	1,650

Blade diameter	165 mm (6-1/2")	
Arbor diameter	20 mm (13/16")	
Max. cutting capacities	At 90°	54 mm (2-1/8")
	At 45°	38 mm(1-1/2")
No load speed	5,000 R/min.	
Net weight	4.7 kg (10.4 lbs)	

### ► Standard equipment

Rip fence (Guide rule), Hex wrench 5, Carbide-tipped saw blade 165-10

### ► Optional accessories

Carbide-tipped saw blade 165-10, Joint (for connecting to vacuum cleaner), Inner flange 40 (for saw blade with arbor 30 mm; 1-3/16" in diameter)

The standard equipment for the tools shown may differ from country to country