

T ECHNICAL INFORMATION



New Tool

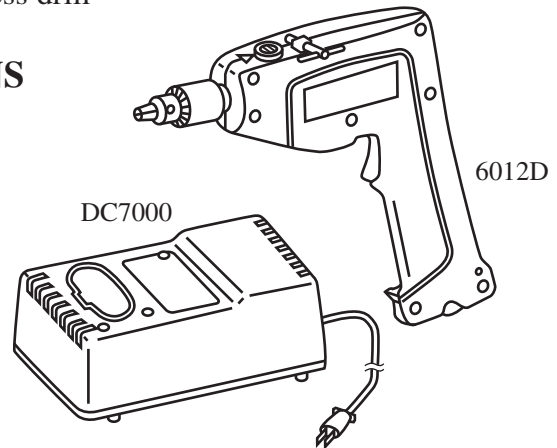
Models No. ▶ 6012D

Description ▶ MAKITA 10mm 2-speed cordless drill

CONCEPTION AND MAIN APPLICATIONS

This drill is a combination model of 6012D(drill) and DC7000(quick charger).

For a wider range of use, this model adopts the mechanism of two-speed gear change as well as the features of 6010DW(combination model of 6010D and DC7000).



▶ Specifications

6012D(drill)			DC7000(quick charger)		
Electric motor	D.C. magnet motor			Input voltage(V)	single A.C. 100V
Battery	7.2V Ni-Cd battery (6)			Frequency	50-60Hz
Voltage (V)	D.C.7.2V			Capacity	27VA
Rotation speed	250/600r.p.m.(for normal/reverse rotation)			Output voltage	D.C..7.2V
Capability	Drilling	Iron	10mm	Current	D.C..1.5A
		Wood	15mm	Charging time	1 hour
	Screw tightening	5.1mm	35mm	Dimension	L145mm H61mm W80mm
Dimension	L235mm H211mm xW56mm			Weight	0.8kg
Net weight	1.2kg			Cord length	2m

▶ Standard equipment

Chuck key S10(attached to the machine), +bit 2-45---one per each

▶ Optional accessories

- Makita battery 7000
- +bit 1-65, 2-45, 65,110,150, 3-45,65,110
- bit 5-45,6-70,5-82,6.35-45,8-45,8-70
- Square drill 85
- Iron drill 1.5,2,3,4,5,6mm
- Wood drill 9,12,15mm
- Rubber pad set, wool bonnet 100
- Glass cleaning buff

The standard equipment for the tools shown may differ form country to country.

► Repair

- ① Disassembling of 6012D requires no special notices.
- ② For troubles or repairs of DC7000, send the product to the maintenance division of our head office.
- ③ For the assembly of 6012D, follow the following procedure.
 - (1) Assemble the gear portion to the spindle and then assemble it to the housing. At this time, bring the flute of spur gear 69 to the position so to work with pin 3.
 - (2) Turn the shifter to the direction so that A portion comes into contact with spur gear 78 and assemble it to the housing.
 - (3) Turn the projected part of leaf spring to the shifter side and assemble it to the housing.
 - (4) Assemble gear complete.
 - (5) Apply the grease inside gears and ring 16.
- ④ Tools : + driver

