

# T ECHNICAL INFORMATION

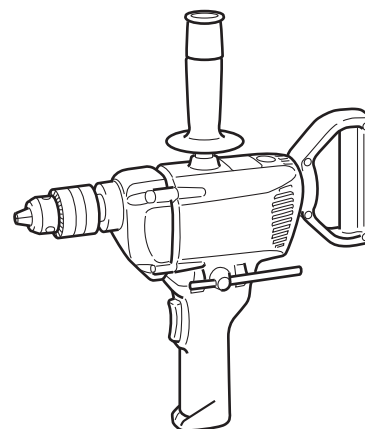
**Models No.** ▶ 6013B

**Description** ▶ 13mm electric drill

## CONCEPTION AND MAIN APPLICATIONS

Featuring powerful motor and functional handle(up & down and rear) as well as the light-weight, this model has been developed focusing on comfortable use.(6013B)

Also, the model (6013BR) with reverse rotation switch has been developed to meet wider demand.



### ▶ Specifications

	6013B	6013BR
<b>Voltage (V)</b>	100	100
<b>Current (A)</b>	7	7
<b>Cycle (Hz)</b>	50/60	50/60
<b>Continuous rating input (W)</b>	650	620
<b>Max. drilling capacity (mm)</b>	<b>Iron</b>	13
	<b>Wood</b>	36
<b>R.P.M</b>	550	550
<b>Net weight (kg)</b>	2.8	2.8
<b>Power supply cord (m)</b>	2.5	2.5

### ▶ **Standard equipment (common to 6013B and 6013BR)**

chuck key S13 (attached on the machine)

### ▶ **Optional accessories (common to 6013B and 6013BR)**

Angle attachment (variable speed)

Hole saw 79,95

The standard equipment for the tools shown may differ form country to country.