

T ECHNICAL INFORMATION

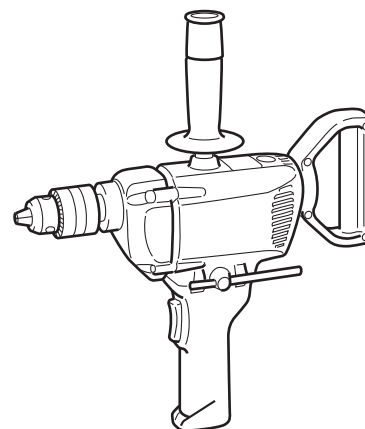
Models No. ▶ 6013BR

Description ▶ 13mm electric drill

CONCEPTION AND MAIN APPLICATIONS

Featuring powerful motor and functional handle(up & down and rear) as well as the light-weight, this model has been developed focusing on comfortable use.(6013B)

Also, the model (6013BR) with reverse rotation switch has been developed to meet wider demand.



▶ Specifications

	6013B	6013BR	
Voltage (V)	100	100	
Current (A)	7	7	
Cycle (Hz)	50/60	50/60	
Continuous rating input (W)	650	620	
Max. drilling capacity (mm)	Iron	13	13
	Wood	36	36
R.P.M	550	550	
Net weight (kg)	2.8	2.8	
Power supply cord (m)	2.5	2.5	

▶ **Standard equipment (common to 6013B and 6013BR)**

chuck key S13 (attached on the machine)

▶ **Optional accessories (common to 6013B and 6013BR)**

Angle attachment (variable speed)

Hole saw 79,95

The standard equipment for the tools shown may differ form country to country.