

T ECHNICAL INFORMATION

Models No. ▶ 601D/DW

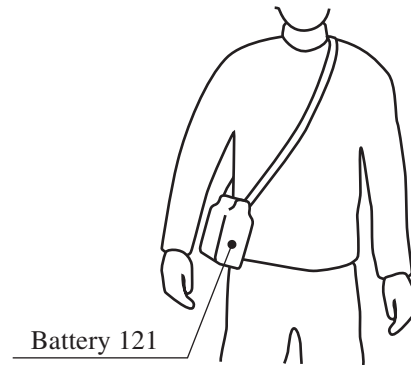
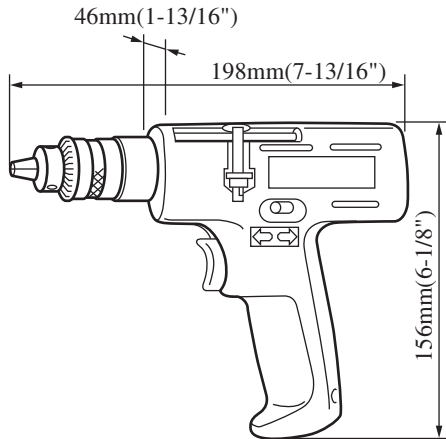
Description ▶ Battery-Powered Driver Drill

CONCEPTION AND MAIN APPLICATIONS

These driver drills are powered by Makita battery 121 (lead-acid battery) which can be slung over one shoulder for high maneuverability.

Model 601D does not include battery and charger.

Model 601DW comes complete with Makita battery 121 and Makita charger DC121.



► Specifications

DC magnet motor (12 V)

Capacities

Steel	10mm(3/8")
Wood	10mm(3/8")
Wood screw	4.5mmx20mm (3/16"x3/4")
No Load Speed	0-750 R/min
Net Weight	0.7Kg (1.5 lbs) for tool 1.9Kg (4.2 lbs) for battery
Charging time	6 hours

► Standard equipment

Charger DC121 (601DW only), Battery 121 (601DW only), Chuck Key

► Optional accessories

Battery 121, Charger DC121, Drill Bit (for steel), Drill Bit (for wood), Phillips Bit, Slotted Bit