

T ECHNICAL INFORMATION

Makita

New Tool

Models No. ▶ 6071D, 6071DW

Description ▶ MAKITA Cordless Driver drill

CONCEPTION AND MAIN APPLICATIONS

For this machine, the battery for use in the 6070D is replaced with the battery 7000(cartridge type).

The 6071DW consists of :

6071D(MAKITA Battery driver drill) ;

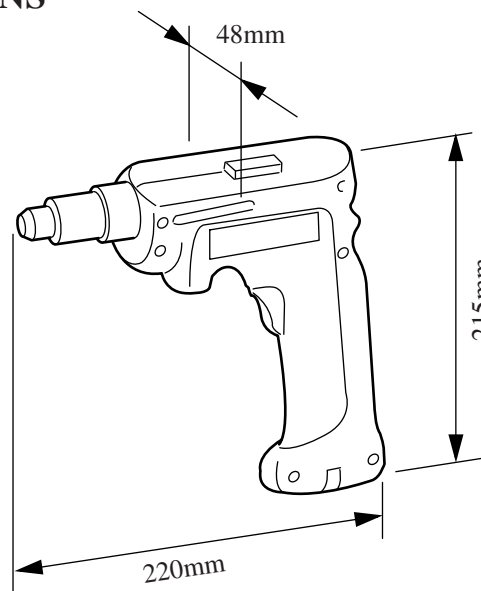
DC7000(MAKITA fast charger) ;

and Battery 7000.

The 6071D is the model No. without battery.

(Note) The model name of this machine for

export is the Cordless screw drill.



▶ Specifications

Main functions : Same as the 6070D.

▶ Standard equipment

Same as 6070D. Note that the bit cannot be housed in the body.

▶ Optional accessories

Battery 7000

DC7012(for charging through the cigarette lighter socket of car)

Other than shown above are the same as 6070D.

▶ Repair

Conform to the 6070D.

The standard equipment for the tools shown may differ from country to country