

TECHNICAL INFORMATION



New Tool

Models No. ▶ 6073D,6073DW

Description ▶ MAKITA Cordless driver drill

CONCEPT AND MAIN APPLICATIONS

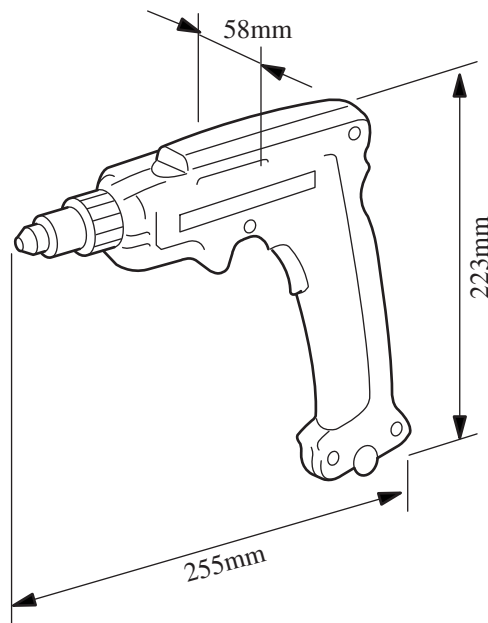
Just like 6093D, this cordless driver drill is driven with 7.2 V battery

1. The torque can adjusted in 12 steps.
2. Two speed mechanical change.
3. Variable control switch.
4. Electric break
5. Over current relay

<notes>

6073D is the model No. without battery & charger.

6073DW is the model No. without battery & charger.



▶ Specifications

Voltage(V)	Current(A)	Frequency(Hz)	Consumed power(W)	Rated output(W)	Max. output(W)
7.2	-	-	-	-	-

Motor		DC 7.2 V magnet motor
No load speed	High	0-850/min
	Low	0-300/min
Chuck capacity		1.5-10 mm
Drilling capacity	Wood	15 mm
	Steel	10 mm
Screwing capacity	Wooden screw	5.1 x 35
	Small screw	6 mm
	Nut	6 mm
Max. fastening torque		80kg-cm
Net weight		1.45 kg (Battery included)

▶ Standard equipment

Chuck key S10 --- One piece

Steel case Bit 2-65 --- One piece (Only for 6073DW)

▶ Optional accessories

Battery 7000

Fast ChargerDC7012(automotive)

Please refer General Catalogue for other accessories.

The standard equipment for the tools shown may differ from country to country