

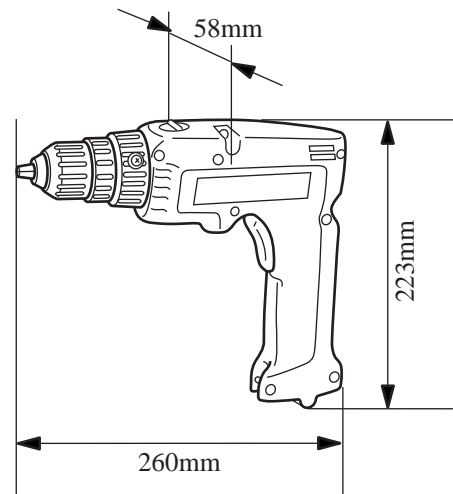
T ECHNICAL INFORMATION

Models No. ▶ 6075D, 6075DW

Description ▶ Cordless Driver Drill (10mm)

CONCEPTION AND MAIN APPLICATIONS

The most advanced cordless driver drill with 6 torque settings plus keyless drill chuck of innovation ! So much easier and quicker to change drill bits. One less worried to lose chuck keys on job site. Also 2-speed, variable, reversing.!



▶ Specifications

VOLTAGE	CURRENT	CYCLE	RATED INPUT	MAX.OUTPUT
110V				
115V				
200V				
220V				
230V				
240V				

(7.2V D.C Motor)

NET WEIGHT		1.45Kgs including a battery
NOLOAD SPEED	High	0-850/min.
	Low	0-300/min.

CAPACITY	Drilling for steel	10mm, for wood: 15mm
	Fastening wood screw	ø5.1 x 35mm or nut : 6mm
	Max. fastening torque	Approx. 80kg.cm
	Chuck capacity	1.5 - 10mm

▶ Standard equipment

6095DW comes with a battery, a charger and a case, and 6095D is just a bare tool.
+ Bit 2-45 is both equipped.

▶ Optional accessories

You can place an order for keyless chucks as accessories. Use Pt. No. 192016-0