

T ECHNICAL INFORMATION



New Tool

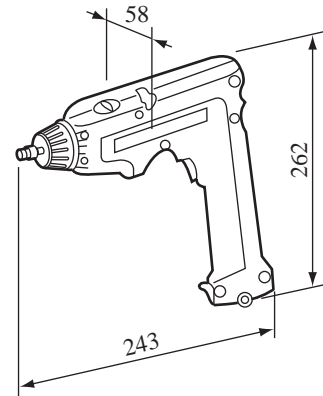
Models No. ▶ 6094D

Description ▶ MAKITA Cordless screw driver

CONCEPTION AND MAIN APPLICATIONS

The machine edge(tool mounting portion) of the 6093D has been reformed for use in the driver bit and designed for meeting the demands for the users who mainly deal in screw fastening. Due to the built-in bit loading/unloading system, unlike our existing screw drivers, the bit can be easily detached just by one touch.

The 6094D is the model without the battery and the charger.
The 6094DW is the model with battery and charger.



► Specifications

Motor	DC 9.6 V Magnet motor	
No load speed	0-1100/min. in high speed 0-400/min. in low speed	
Chuck capacity	1.5-10	
Boring capacity	10 mm for steel, 18 mm for wood	
Screwing capacity	Wooden screw	5.5 x 55mm
	Small screw and nut	6 mm
Weight	1.7kg (Including battery)	

Same as 6093D.

► Standard equipment

+ Bit 2-45 --- One piece

► Optional accessories

Socket bit 5.5-55/7-55/8-55/10-55

- Bit : 5-45/8-82/6-70/6.35-45/8-45/8-70,

+ Bit : 1-65/2-45/2-65/2-82/2-110/2-150/2-250/3-45/3-65/3-110

Drill chuck set parts

Drill 1.5, 2,3,4,5,6

Wooden drill 9, 12,15

Battery 9000

12V fast charger DC9012

► Repair

Same as 6093D.

The standard equipment for the tools shown may differ form country to country