

T ECHNICAL INFORMATION



New Tool

Models No. ▶ 6095D

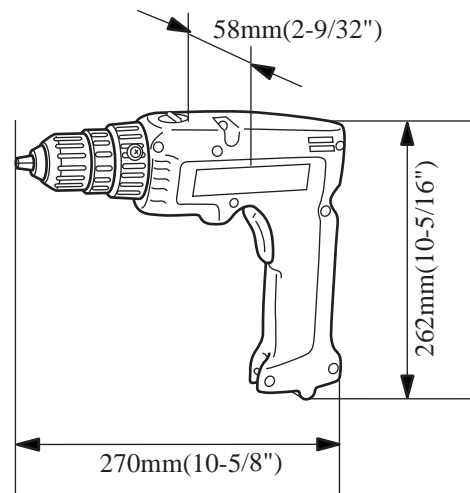
Description ▶ Cordless Driver Drill

CONCEPT AND MAIN APPLICATIONS

Model 6095DQ is basically the same as the existing Model 6095DW except the following.

	Fast Charger	Carrying Case
6095DQ	DC9015	Plastic
6095DW	DC9100	Steel

Fast Charger DC9015 charges Makita battery cartridges(7000,9000 and 9100) in ONLY 15 MINUTES.



► Specifications

DC Magnet Motor 9.6V		
Capacities	Steel	10mm (3/8")
	Wood	18mm (11/16")
	Wood Screws	5.5mm (7/32") x 55mm (2-1/8")
	Machine Screws	6mm (15/64")
No Load Speed	High	0 - 1,100 R/min
	Low	0 - 400 R/min.
Net weight	4.0kg (8.8lbs) including Fast Charger DC9015, Battery Cartridge and Plastic Carrying Case	

► Standard equipment

Fast Charger DC9015, Battery Cartridge 9000, Phillips Bit 2-45, Plastic Carrying Case

► Optional accessories

Various size of Phillips Bits, Various size of Slotted Bits, Various size of Socket Bits, Various size of Drill Bits, Rubber Pad Assembly, Foam Polishing Pad, Wool Bonnet, 12 V Fast Charger DC9012 (Automotive Charger), Battery Cartridge 9000

The standard equipment for the tools shown may differ from country to country