

T ECHNICAL INFORMATION



Models No. ▶ 6096D

Description ▶ Cordless Driver Drill

CONCEPTION AND MAIN APPLICATIONS

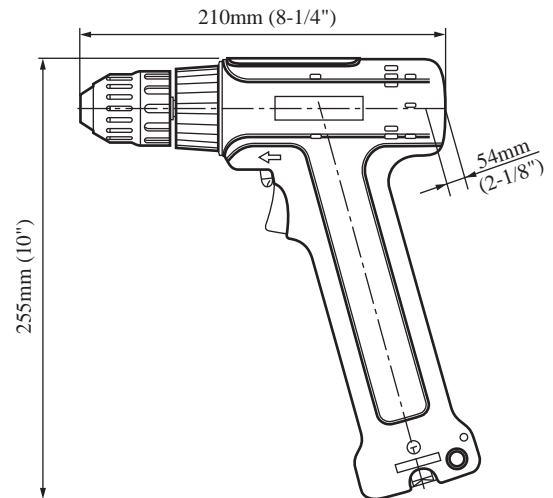
This 9.6V cordless driver drill is the sister version of the existing Model 6095D and more efficient for light work than Model 6095D.

(ex.driving 1-5/8" drywall screw,drilling small hole)

Its brief benefits are;

- *Compact design
- *Light weight
- *Equipped with electric brake

Model	Battery	Fast Charger
6096DW	9000(Ni-Cd)	DC9700
6096DWE	9000(Ni-Cd)X2	DC9700(DC9700A)
6096DWBE	9033(Ni-MH)X2	DC9701



► Specifications

Motor	DC 9.6V magnet motor	
Battery	Battery 9000 (Ni-Cd,9.6V,1.3Ah) Battery 9033 (Ni-MH,9.6V,2.2Ah)	
No load speed	High:0 - 1100rpm Low:0-350rpm	
Chuck capacity	0.8mm(1/32") - 10mm(3/8")	
Max.drilling capacities	Steel	10mm(3/8")
	Wood	18mm(11/16")
Max.driving capacity	5.5mm(7/32")X55mm(2-3/16")	
Max.fastening torque (drill-mode)	Low speed	12N-m(120kgf-cm)(8.7ft-lbs)
	High speed	4N-m(40Kgf-cm)(2.9ft-lbs)
Net weight	1.3Kg(2.9lbs)	

► Standard equipment

- Philips Bit 2-45 ----- 1 pc. (manufactured in U.K.)
 - + Bit 2 45 ----- 1 pc. (manufactured in U.S.A.)
 - Battery Cover ----- 1 pc.
 - Plastic Carrying Case ----- 1 pc.
- <Note>The standard equipment may differ from country to country.

► Optional accessories

- Drill Bit 1.5,2,3,4,5,6
- Drill Bit for wood 9,12,15
- Philips Bit 1-65,2-45,2-65,2-110,2-150,2-250,3-45,3-65,3-110
- Slotted Bit 5-45,5-82,6-70,6.35-45, 8-45,8-70
- Socket Bit 7-55,8-55,10-55
- Foam Polishing Pad 125
- Rubber Pad Assembly
- Wool Bonnet 100
- Battery 9000, 9033, 9002
- Fast Charger DCI411, DC1209, DC9700, DC9701
- Fast Automotive Charger DC1412

The standard equipment for the tools shown may differ form country to country

► Repair

(1) Cautions in Disassembling

To replace the gear assembly, firstly disconnect the drill chuck. (If the housing only is disassembled, its no need to disconnect the chuck.) Use care not to miss the compression spring 4 inside the speed change lever since it can be easily jumped out when disassembling.

(2) Cautions in assembling

1.Assembling of the motor and gear assembly

*As the motor bracket is mounted on the gear assembly for repair, turn the motor bracket counterclockwise (viewed from the motor bracket side) to remove it from the gear assembly.

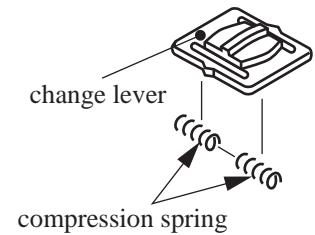


Fig. 1

1) Assemble the motor bracket and the motor with screw.

2) Turn the motor assembling parts shown in 1) in clockwise (viewed from the motor bracket side) to assemble them on the gear assembly. Make fit the red mark on the motor edge with the flat face of the gear assembly.

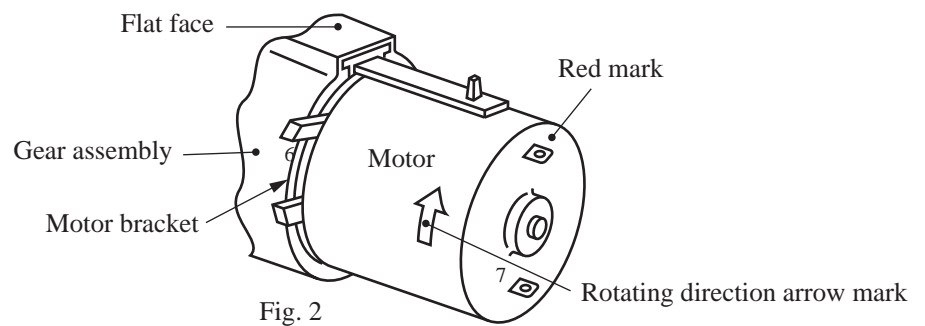


Fig. 2

2.Assembling of the leaf spring

Assemble the leaf spring on the housing L as shown on the figure 3.

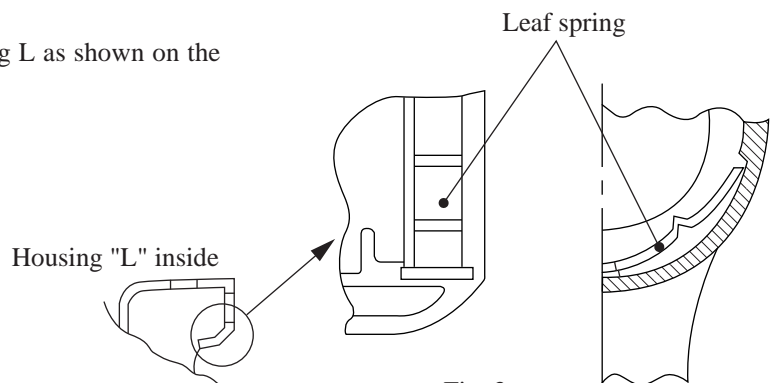


Fig. 3

3.Assembling of the speed change lever

1) Set the two pieces of compression spring 4 in the speed change lever.

2) Assemble the speed change lever assembly on the protrusion of the change lever as shown on the figure 4 while using care that the compression spring 4 may not jump over.

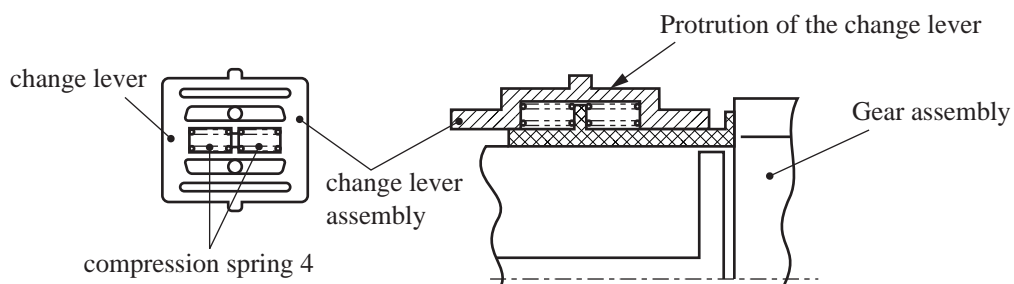


Fig. 4

4. Assembling on the housing

- 1) To assemble the one body of gear assembly and motor etc. on the housing L, place the speed change lever on the position shown on the figure 5.

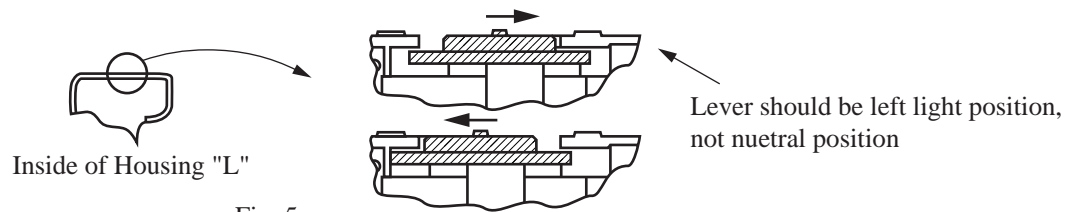


Fig. 5

5. Assembling of the chuck

- 1) Place the chuck on the spindle face.
- 2) Mount the hexagon rod spanner on the chuck and use the vice to fix them.
- 3) Set to the drill mode, normal turning and low speed.
- 4) Set the full charged battery and securely hold the handle.*1
- 5) Allow the trigger to full speed in about 1 second while no impact is adding.
*Insufficiently holding the handle may cause the handle to turn around in locking. This machine is going to turn clockwise.
- 6) Widen the claw of chuck at maximum and then fasten the screw for holding the chuck.
*The left-handed screw is used.

► Circuit drawing

