

TECHNICAL INFORMATION

Makita

New Tool

Models No. ▶ 6702D

Description ▶ Cordless Angle Screwdriver

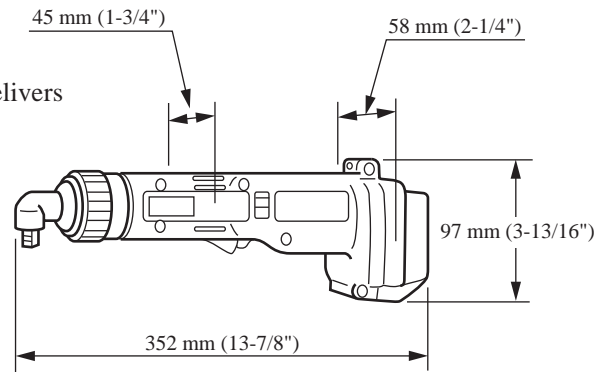
CONCEPTION AND MAIN APPLICATIONS

This tool is ideal for fastening in close quarters as it is a Cordless and Angle type screwdriver.

It is also ideal for work that requires accurate fastenings as it delivers even and consistent torque.

Model 6702D is sold with a battery cartridge 9100 but without a fast charger.

Model 6702DW includes a battery cartridge 9100 and a fast charger DC9700.



► Specifications

		DC Magnet Motor 9.6 V
Fastening Capacities	Bolt or Nut	3 mm - 6 mm (1/8" - 1/4")
	Machine Screw	3 mm - 6 mm (1/8" - 1/4")
Square Drive		9.5 mm (3/8")
No Load Speed		400 R/min
Fastening Torque		20 kg.cm - 80 kg.cm (1.4 ft.lbs - 5.8 ft.lbs)
Net Weight		1.4 kg (3.1 lbs)

► Standard equipment

Battery Cartridge 9100, Fast Charger DC 9700 (6702DW only), Plastic Carrying Case (6702DW only)

► Optional accessories

Battery Cartridge 9100, Fast Charger DC9700, DC9012, DC9015, Plastic Carrying Case

The standard equipment for the tools shown may differ from country to country