

**Models No.** ▶ 6705D

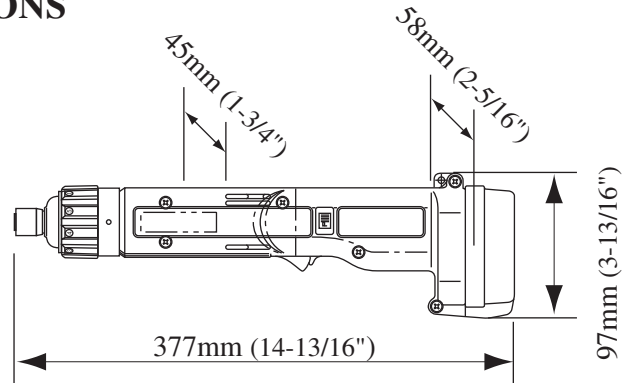
**Description** ▶ Cordless Screwdriver

## CONCEPTION AND MAIN APPLICATIONS

Model 6705D is improved version of the existing Model 6703D.

It's brief benefits are;

- \* Set Plate is coated with resin so that workpiece is not to be scratched.
- \* Equipped with quick-sleeve system for easy installation/removal of bit.
- \* Precise fastening torque because electric brake stops the motor immediately after clutch cuts in.
- \* No waste of battery energy because the tool is switched off automatically after clutch cuts in.



### ► Specifications

|                  |  |       |
|------------------|--|-------|
| Motor            | DC 9.6V magnet motor                   |       |
| Battery          | Battery 9100 (Ni-Cd,9.6V,1.3Ah)        |       |
| Driving capacity | Nut / Machine screw                    | M3-M5 |
| Fastening torque | 5 kg-cm - 37 kg-cm (0.49N-m - 3.63N-m) |       |
| Bit type         | 6.35 mm (1/4") Hex                     |       |
| No load speed    | 400 rpm                                |       |
| Net weight       | 1.4 kg (3.1 lbs)                       |       |

### ► Standard equipment

Battery Cover -----1 pc.

<Note> The standard equipment may differ from country to country

### ► Optional accessories

Battery 9100, 9102,9102A

Fast Charger DC9700, DC9701, DC1201, DC1411, DC1801,DC1209

Automotive Fast Charger DC1412,DC1422