

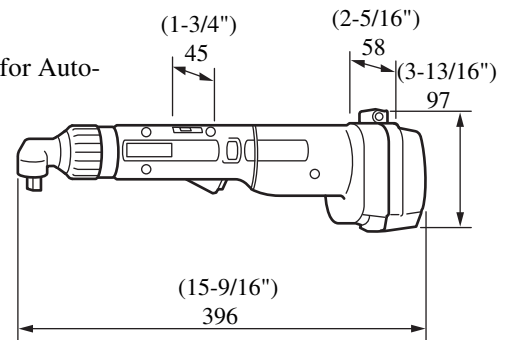
**For Models** ▶ 6704D,6706D

**Description** ▶ Cordless Angle Socket Driver

## ▶ CONCEPTION AND MAIN APPLICATIONS

6706D is a new Cordless angle socket driver made by adding to 6702D Control circuit for Auto-stop mechanism detecting the rest Battery capacity . The total length has been made 44mm longer comparing to 6702D to store Control circuit.

Also, plastic coating has been applied on Set plate to prevent it from damaging car body. 6704D is a model with Housing of 6706D, and the spec. and performance are the same as those of 6702D except the total length and Set plate. Both are for export only.



Model	Battery	Charger	Plastic case
6704D,6706D	9100	No	No
6704DW,6706DW	9100	DC9700	Yes

## ▶ Specifications

Voltage (V)
9.6V

Motor D.C. magnet motor, Ni-Cad battery 9100

## ▶ Standard equipment

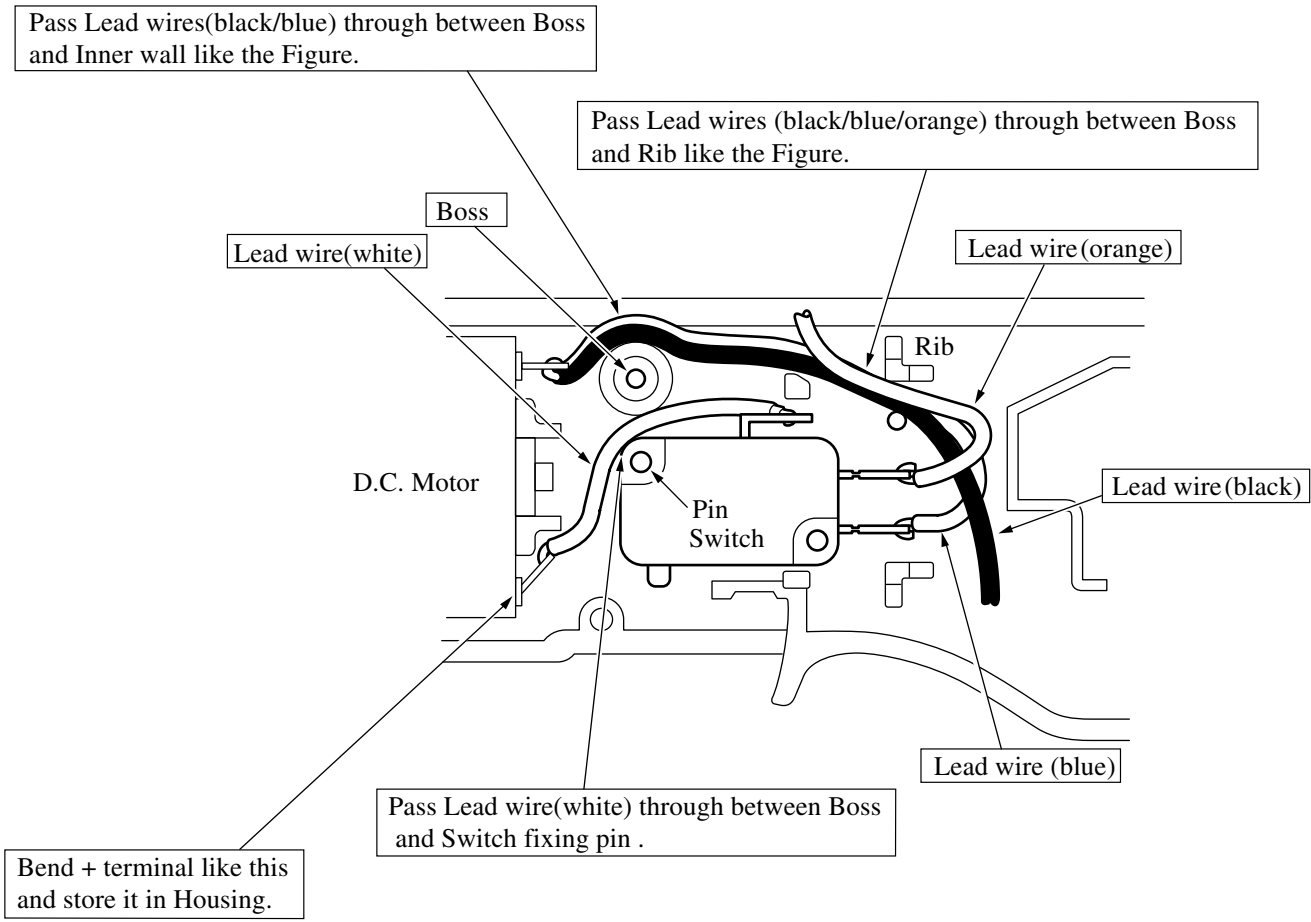
Battery cover

## ▶ Optional accessories

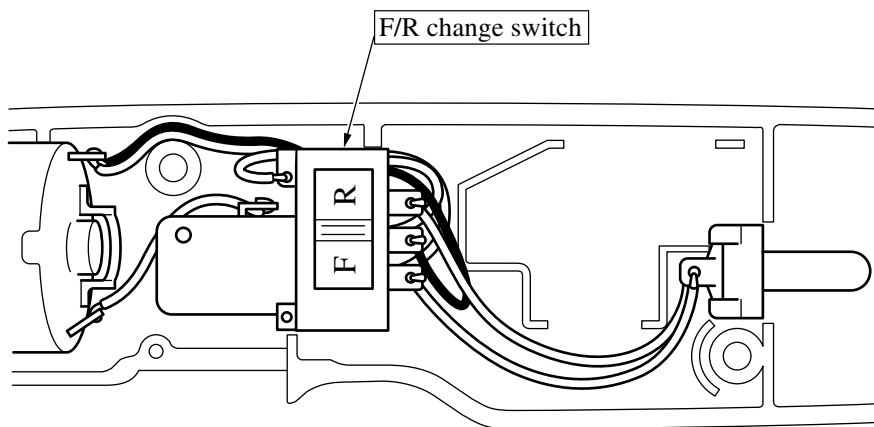
Battery 9100, 9102, 9102A Rapid charger DC9700, DC9701, 9-min-rapid charger DC1209, Rapid car charger DC1412



2. Wiring (how to store in Housing) 6704D,6706D  
 < How to store Lead wires >



< Stored Forward/Reverse change switch >



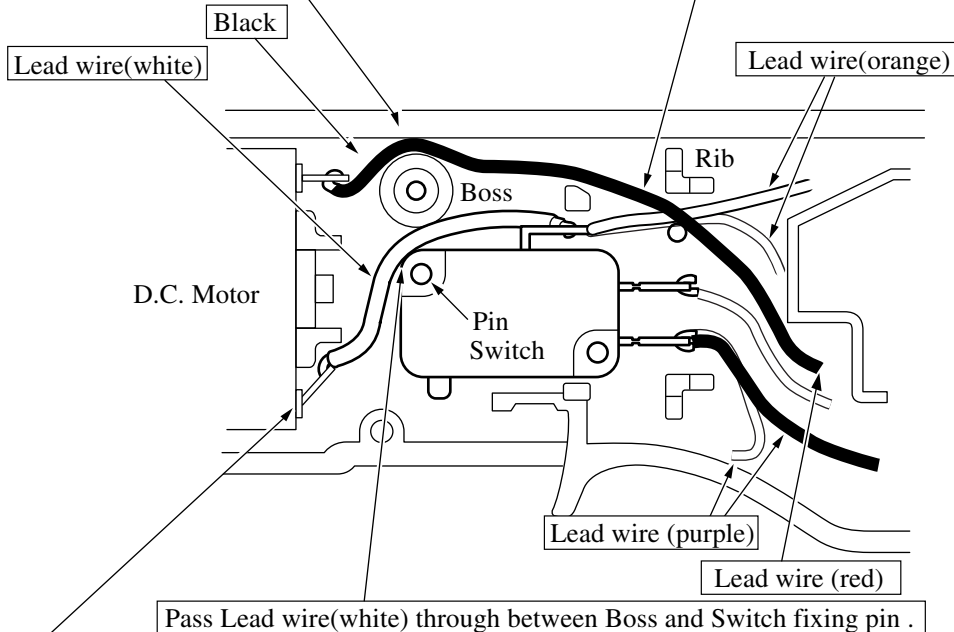
2. Wiring (how to store in Housing) 6704D,6706D

6706D

< How to store Lead wires >

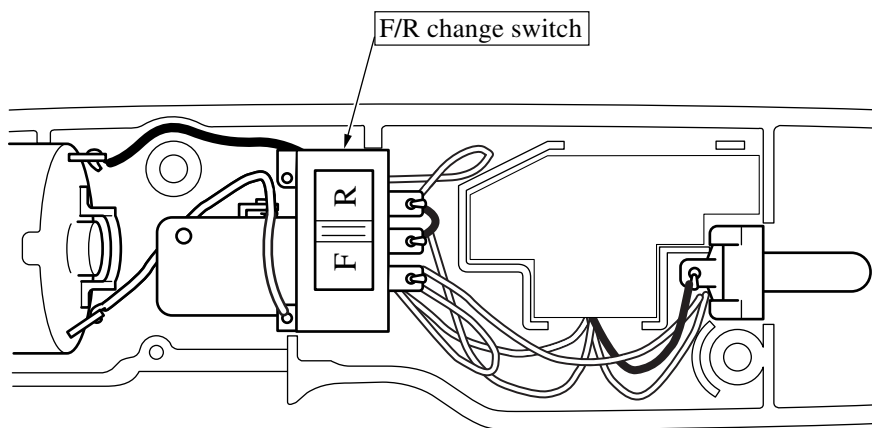
Pass Lead wires(black) through between Boss and Inner wall like the Figure.

Pass Lead wire(black) and two Lead wires (orange) through between Pin and Rib like the Figure.



Bend + terminal like this and store it in Housing.

< Stored Forward/Reverse change switch >



► Others

Same as 6702D