

# T ECHNICAL INFORMATION



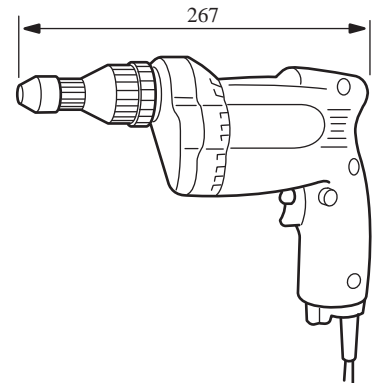
New Tool

**Models No.** ▶ 6805BV

**Description** ▶ MAKITA Screw driver

## CONCEPT AND MAIN APPLICATIONS

This is the screw driver for use in the wide range of applications including the tex screw, the hexagon bolt and up to the wooden screw, wherein the 6-step torque adjusting function is additionally built in the screw driver 6802BV for tex, and the low noise mechanism in turning under no load is adapted.



### ► Specifications

Voltage(V)	Current(A)	Cycle(Hz)	Continuous rating		Max. output(W)	
			Input(W)	Output(W)		
Domestic	100	4.5	50-60	400	190	450
Export				510	260	
115	4.8	50-60	510	260	450	
200	2.8	50-60	510	260	450	
220	2.5	50-60	510	260	450	
230	2.4	50-60	510	260	450	
240	2.3	50-60	510	260	450	

<b>No load speed (R.P.M.)</b>	0-2,500/min.	
<b>Hexagonal opposite side</b>	6.35 mm	
<b>Capacities</b>	<b>Machine screw</b>	M8
	<b>Wood screw</b>	6.2 mm
<b>Net weight</b>	1.9 kg	
<b>Power supply cord</b>	2.5 m	

### ► Standard equipment

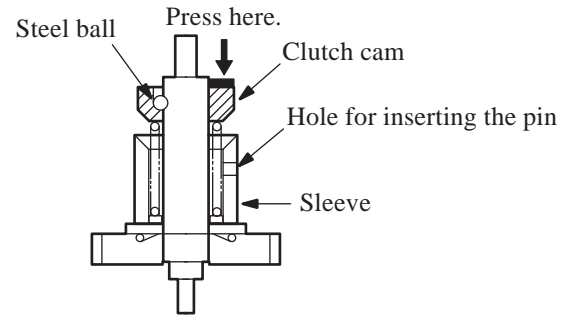
Steel case : One piece  
+ Bit 2-45 : One piece

### ► Optional accessories

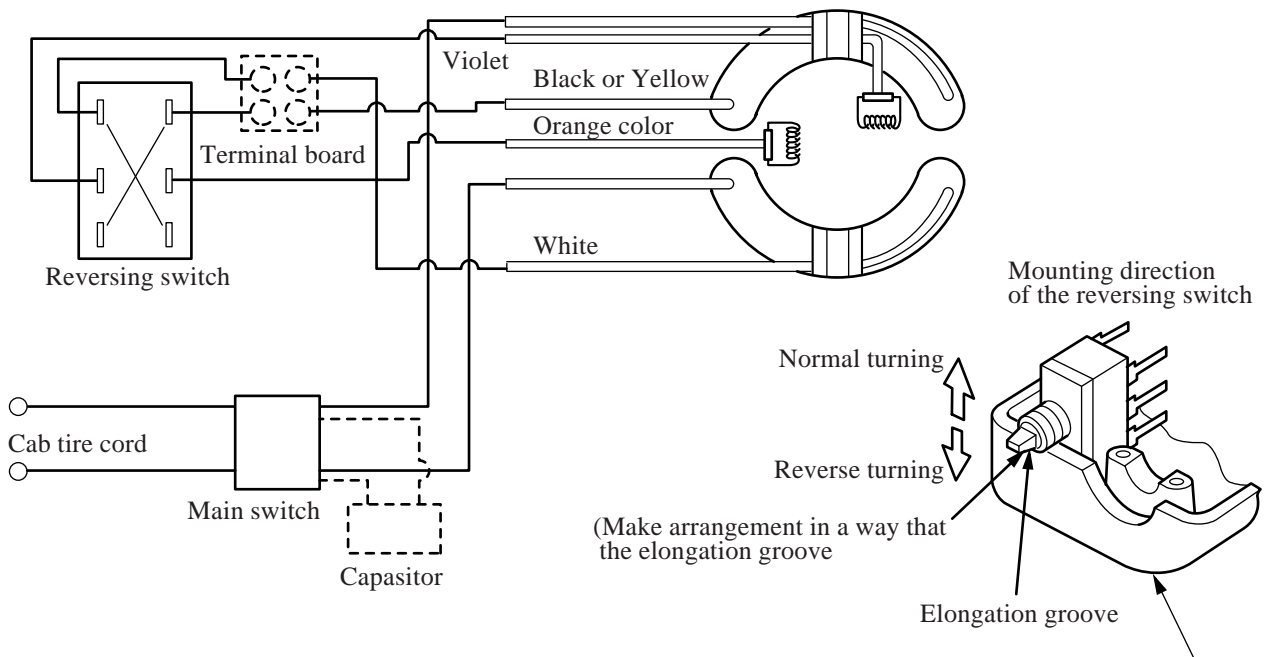
+ Bit : 2-65, 2-110, 2-150, 2-250, 3-45, 3-65, 3-110  
Socket bit : 7-55, 8-55, 10-55, 3/8-55, 10-70, 13-55, 14-55  
Front cap : 15.5

The standard equipment for the tools shown may differ form country to country.

1. The clutch cover is fastened by the left-hand-screw.
2. Disassemble the clutch cam after removing the steel ball by pressing the clutch cam as shown on the right figure.



## ► Circuit drawing



Note 1) Since the number of the terminal board is not displayed on the reversing switch, check the position on the right figure.

Note 2) The portion marked by the dashed line may vary depending on the specifications in the various countries.

Note 3) The field line marked by the

⊗ may vary depending on the voltage as shown on the below figure.

Voltage	Color
100V	Black
105-130V	Sky Blue or gray or black
200V	Light brown
220V	Blue
230-250V	Red