

# TECHNICAL INFORMATION



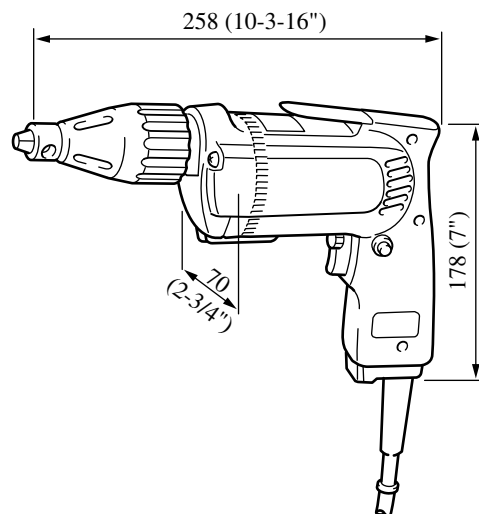
New Tool

**Models No.** ▶ 6822

**Description** ▶ Drywall screwdriver

## CONCEPTION AND MAIN APPLICATIONS

Model 6822 is the improved version of the existing model 6820V.  
Depth of driving can be adjusted only by turning Rock ring.  
Removing Locator is easy to make loosening screw comfortable.



### ► Specifications

Voltage (V)	Current (A)	Cycle (Hz)	Continuous Rating (W)		Max. Output(W)
			Input	Output	
100	6.0	50/60	570	280	460
115	5.2	50/60	570	280	460
220	2.7	50/60	570	280	460
230	2.6	50/60	570	280	460
240	2.5	50/60	570	280	460

<b>No load speed</b>		0-4000 rpm.
<b>Driving shank</b>		6.35mm (1/4") Hex
<b>Max. drilling capacity</b>	<b>Drywall</b>	5mm (3/16")
	<b>Teks</b>	6mm (1/4")
<b>Net weight</b>		1.3kg (2.9lbs)
<b>Cord length</b>	<b>European countries</b>	5.0m (16.4ft)
	<b>Other countries</b>	2.5m (8.2ft)

### ► Standard equipment

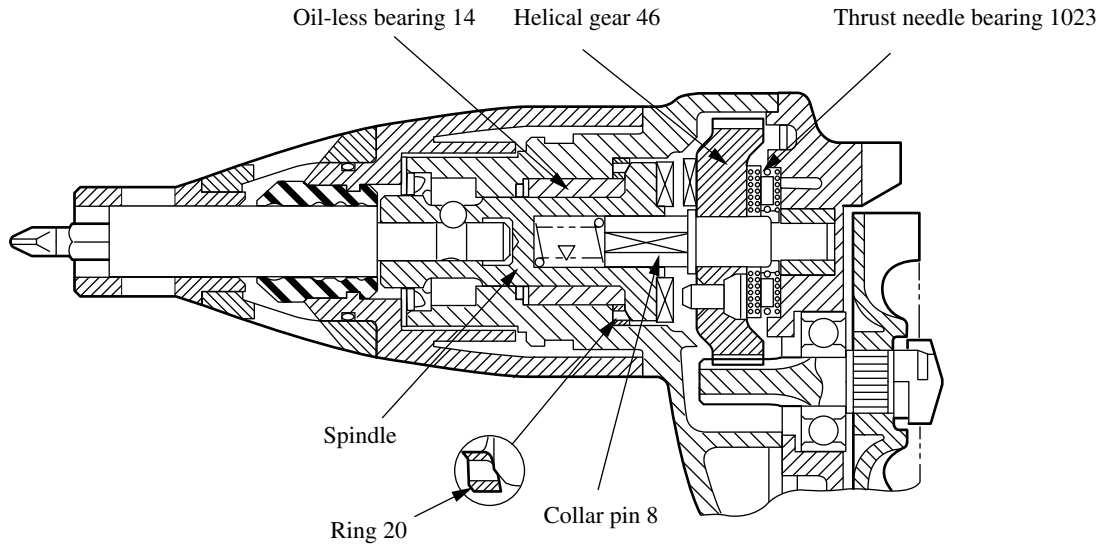
- Phillips Insert bit 2-25
- Magnetic bit holder 635-60
- [Note] The standard equipment may differ from country to country.

### ► Optional accessories

- Phillips insert bit 1-25
- Phillips insert bit 2-25
- Phillips insert bit 3-25
- Magnetic bit holder 6.35-60

## ► Repair

For disassembly and assembly pay following attentions.

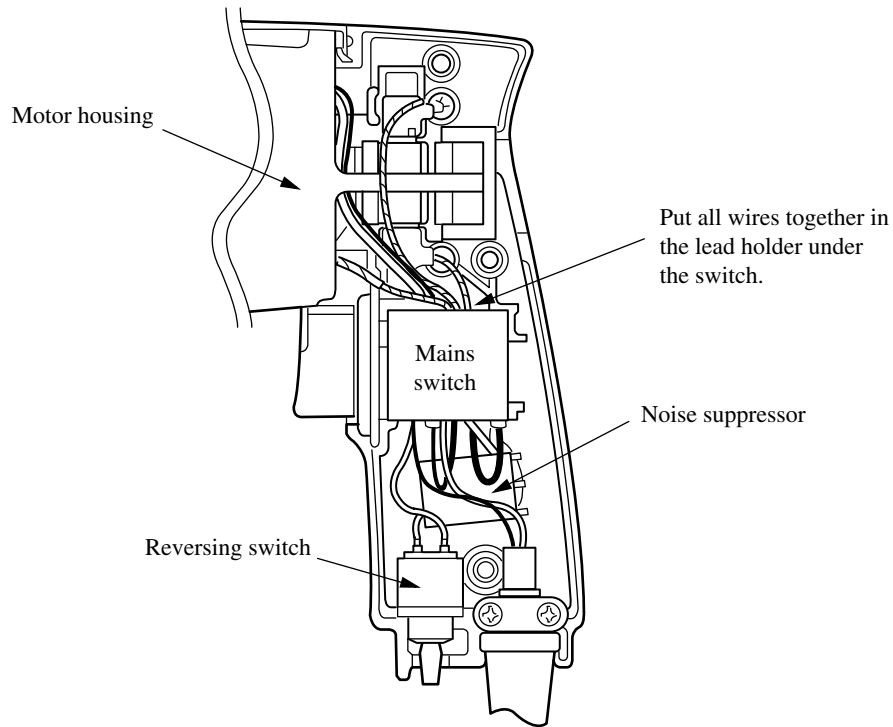


- 1) Mount ring 20 so that it's tapered side contacts spindle.
- 2) Mount collar pin 8 so that it's width across flat faces spindle.
- 3) Mount thrust needle bearing 1023 so that washer that has a thicker plate thickness should be on helical gear 46 side.

## ▶ Wiring

Follow the procedures below.

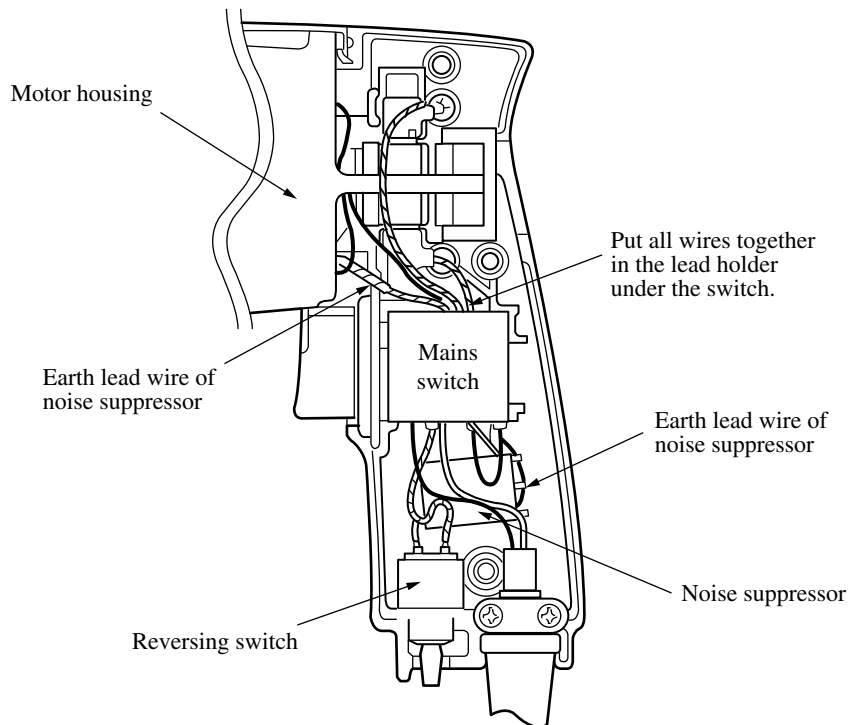
[Europe, Oceania, South Africa, Korea]



[For other countries]

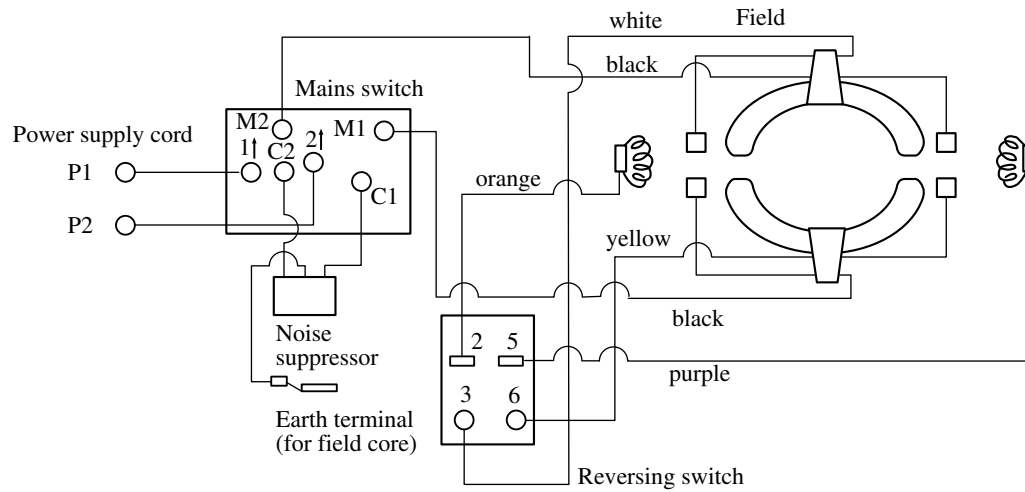
Noise suppressor does not use for all countries.

Noise suppressor may differ from country to country.

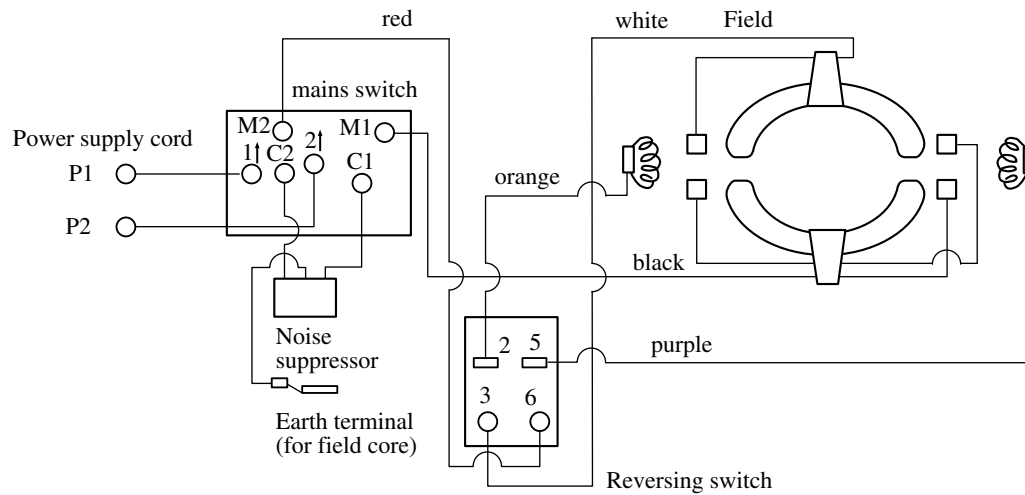


## ► Wiring diagram

[Europe, Oceania, Korea, South Africa]



[Other countries]



Noise suppressor may not be used depending on countries, or in other cases, noise suppressor which has no earth wire would be used.