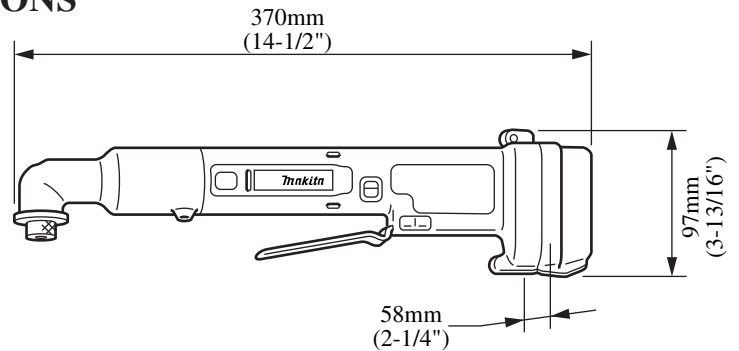


For Models ▶ 6940D/DW

Description ▶ Cordless Angle Impact Driver

CONCEPTION AND MAIN APPLICATIONS

This angle impact driver is ideal for work in tight space. It can be converted to straight impact driver or ratchet wrench using optional straight head or ratchet head. Model 6940DW includes a battery cartridge 9100 and a fast charger DC9700.



► Specifications

DC Magnet Motor	9.6V
-----------------	------

► Capacity

Lag screw : 4.5mm x 75mm(3/16" x 2-15/16")

Machine screw : M4-M8(3/16"-5/16")

Standard bolt : M4-M10(3/16"-3/8")

Impacts per minute : 0-2,700

No load speed : 0-2,000R/min

Fastening torque : 300kg.cm(21.7ft. lbs)

Net weight : 1.5kg(3.3 lbs)

► Standard equipment

Phillips bit 2-45, 3-65, Battery cartridge 9100, Fast charger DC9700 (6940DW only) Plastic carrying case (6940DW only)

► Optional accessories

Phillips bit 2-45, 2-65, 3-65, Ratchet head, Straight head, Battery cartridge 9100, 9101, 9101A, Fast charger DC9700, DC9112, DC1201