

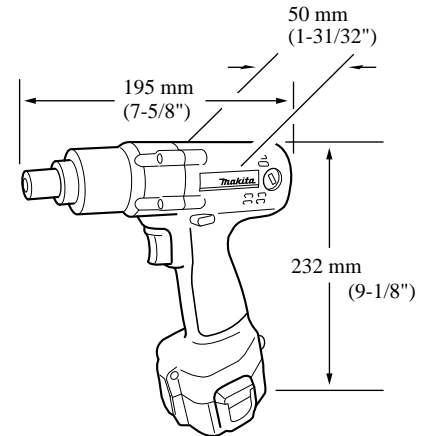
**For Models** ▶ 6960D

**Description** ▶ Cordless Oil-Impulse Driver

## CONCEPTION AND MAIN APPLICATIONS

This new 12V impulse driver has an oil-impulse system for reducing impact-noise drastically compared with the regular impact drivers.

This new driver is suitable only for wood-screws.



Model	Battery(2.0Ah)	Fast charger	Plastic carrying case
6960DA	Battery1222	No	No
6960DWA	Battery1222	DC1411	Yes

### ► Specifications

<b>Motor</b>	DC 12V magnet motor	
<b>Battery</b>	Battery 1222(Ni-Cd, 12V, 2.0Ah)	
<b>No load speed</b>	0-2500rpm	
<b>Impacts per minute</b>	0-1600	
<b>Bit type</b>	Hex. shank bit Width across flats : 6.35mm(1/4")	
<b>Max. fastening torque</b>	300kgf.cm(260in.lbs)	
<b>Capacities</b>	Wood screw	Ø3.5-9.5mm (9/64"-3/8")
	Coarse thread	22-120mm(7/8"- 4-3/4")
<b>Net weight</b>	1.8kg (4.0lbs)	

### ► Standard equipment

Phillips Bit 2-65...1pc. Battery Cover...1pc. Set Plate(to use battery without push buttons)...1pc.  
Plastic Carrying Case(6960DWA only)...1pc.

### ► Optional accessories

Phillips Bit 2-65, 3-65 Bit Piece  
Socket Bit 7-55, 8-55, 10-55, 10-70, 12-86, 13-55, 14-55, 17-55  
Keyless Drill Chuck Drill Chuck  
Battery 1200, 1202, 1202A, 1222 Fast Charger DC1201, DC1209, DC1411, DC1412

The standard equipment may differ from country to country.