

T ECHNICAL INFORMATION



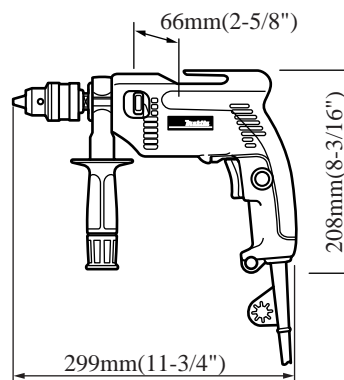
New Tool

Models No. ▶ 8451

Description ▶ 15mm Hammer Drills

CONCEPTION AND MAIN APPLICATIONS

These hammer drills are newly designed versions of the existing model HP1500 series. Its brief benefit is addition of hook.



Model	Variable speed	Reversing	Drill chuck	Plastic carrying case
8450	Yes	Yes	Keyed	No
8450K	Yes	Yes	Keyed	Yes
8451	Yes	Yes	Keyless	No
8451K	Yes	Yes	Keyless	Yes
8452	No	No	Keyed	No

► Specifications

Voltage (V)	Current (A)	Cycle (Hz)	Continuous Rating (W)		Max. Output(W)
			Input	Output	
100	5.9	50/60	560	270	360
115	5.1	50/60	560	270	430
220	2.6	50/60	560	290	480
220/230	2.7	50/60	560	290	480
230	2.6	50/60	560	290	480
240	2.5	50/60	560	290	480

No load speed	8450/8450K/ 8451/8451K	Rotations/min.	0-2800rpm
		Blows/min.	0-44800bpm
	8452	Rotations/min.	2800rpm
		Blows/min.	44800rpm
Chuck capacities	8450/8450K/8452	1.5mm-13mm(1/16"-1/2")	
	8451/8451K	2mm-13mm(3/64"-1/2")	
Max.drilling capacities	Concrete	15mm(9/16")	
	Steel	13mm(1/2")	
	Wood	25mm(1")	
Net weight	1.7Kg(3.7lbs)		
Cord length	2.0m(6.6ft)		

► Standard equipment

Chuck Key S13-----1 pc. (8450,8450K, 8452 only)

Depth Gauge-----1 pc.

Plastic Carrying Case-----1 pc. (8450K, 8451K only)

► Optional accessories

Keyless Drill Chuck Set Drill Chuck S13

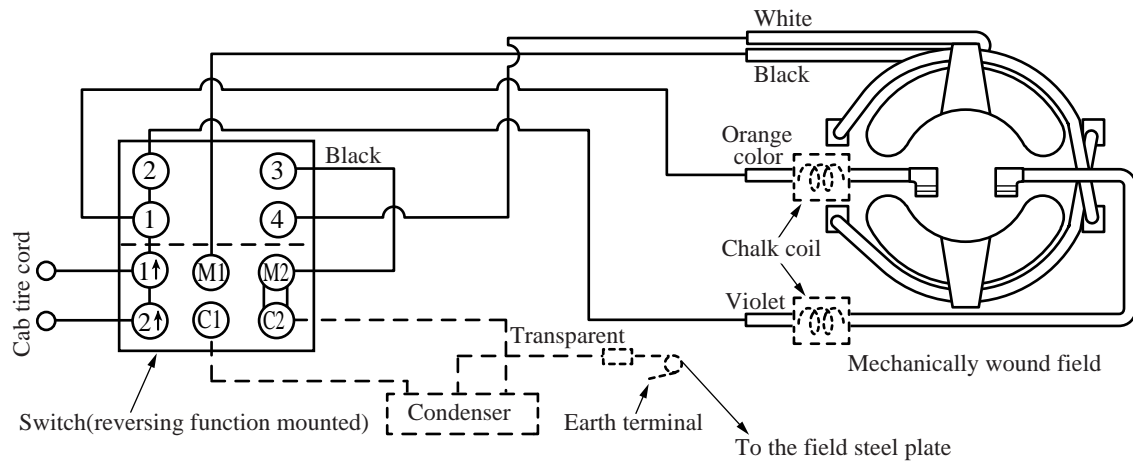
The standard equipment for the tools shown may differ from country to country.

► Repair

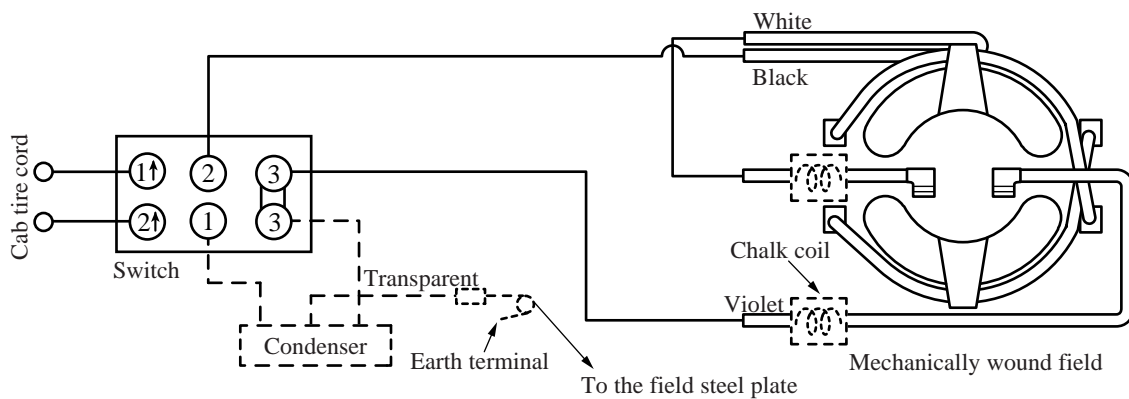
Same as HP1500 other than housing. See the new product technical information BL-2324.(Note that the electrical material is excluded.)

► Circuit drawing

8450, 8451 8450K 8451K



8452



The condenser is not used in some areas and the condenser with two legs(without lead wire) is used in other areas. The chalk coil(with lead wire) is not used in some areas.