

T ECHNICAL INFORMATION



New Tool

Models No. ▶ 9035D

Description ▶ Cordless Sander

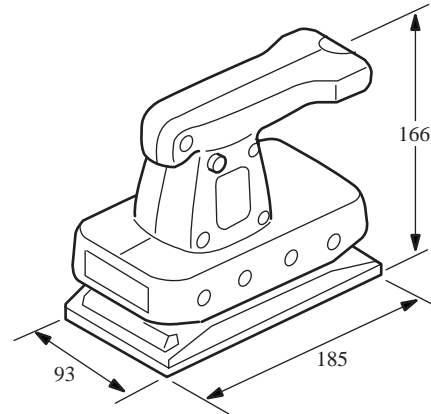
CONCEPT AND MAIN APPLICATIONS

Model 9035D/9035DW are compact, light yet powerful battery sanders. No other competitor has similar products.

9035DW consists of :

- 9035D (Battery sander)
- DC7000 (Quick charger)
- Battery 7000

Battery is not attached to 9035D.



▶ Specifications

Motor	DC 7.2 V magnet motor
No load speed	6000/min.
Paper size	93 x 228 mm
Pad size	93 x 185mm
Weight	1.3 kg(Battery included)

▶ Standard equipment

- Sanding paper 93-60 2 sheets
- Sanding paper 93-100 2 sheets
- Sanding paper 93-150 2 sheets

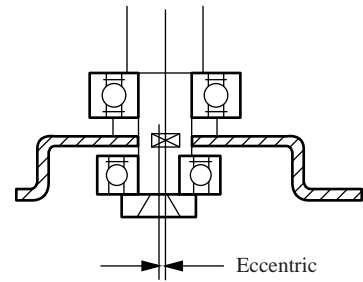
▶ Optional accessories

- Sanding paper 93-60
- Sanding paper 93-100
- Sanding paper 93-150
- Battery 7000

► Repair

1. Direction of balancer fixed

Fix the balancer, as shown in the figure, against the eccentric direction in the axial center of the spindle end.



2. Attachment of push rod

Insert the push rod into the switch hole after the housing has been assembled.