

T ECHNICAL INFORMATION



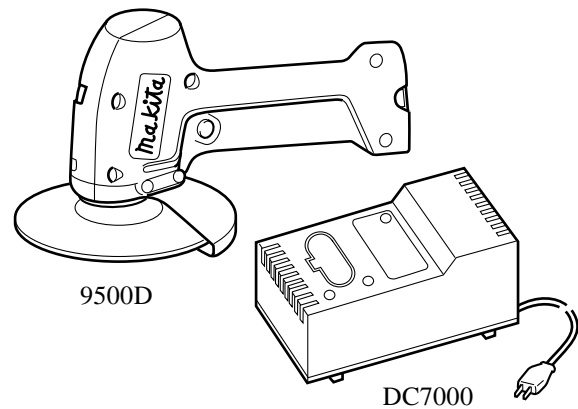
New Tool

Models No. ▶ 9500D

Description ▶ MAKITA 100 mm Cordless disc grinder

CONCEPT AND MAIN APPLICATIONS

This is the machine made through the combination of the 9500D(Grinder body) and the DC7000(Fast charger). Developed as the light weighing cordless disc grinder for use in the actual working sites such as various agricultural machines, gardening, polishing the home cutter and light working in metal process.



▶ Specifications

9500D(Grinder body)		DC7000(Fast charger)	
Battery	Battery 7000	Input voltage	Single-phase AC 100V
Voltage	DC 7.2V	Input frequency	50-60 Hz
		Input capacity	27 V/A

9500D(Grinder body)	
No load speed (R.P.M.)	5500 /min
Depressed center wheel	100 mm in outer dia., 15 mm in hole dia, 2.5 mm in thickness
Overall size	225 mm in length
Net weight	1 kg(Battery included)

▶ Standard equipment

Hex. spanner 4

▶ Optional accessories

Depressed center wheel 100-60

MAKITA Battery 7000

12V Fast charger DC7100

▶ Repair

- (1) There is no special cautions for 9500D(Grinder body). [Tool used] Plus screw driver
- (2) See the technical information BL-0425 for troubles and repair of DC7000(Fast charger).

The standard equipment for the tools shown may differ form country to country