

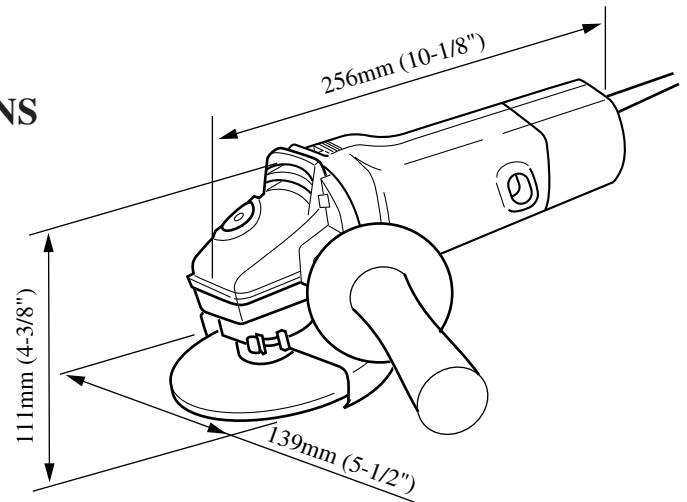
For Models ▶ 9525NB

Description ▶ 125mm Angle Grinder

CONCEPTION AND MAIN APPLICATIONS

Model 9525NB is the angle grinder designed for accepting 125mm wheel on the basis of Model 9523NB and its brief benefits are;

- *Slimmer body loaded with more durable new motor (type S55)
- *Labyrinth structure seals out the grinded dust from ball bearings
- *Comfortable slide switch



► Specifications

| Voltage(V) | Current(A) | Cycle(Hz) | Continuous Rating(W) | | Max. Output(W) |
|------------|------------|-----------|----------------------|--------|----------------|
| | | | Input | Output | |
| 100 | 5.7 | 50/60 | 540 | 300 | 630 |
| 115 | 5.0 | 50/60 | 540 | 300 | 630 |
| 200 | 2.9 | 50/60 | 540 | 300 | 630 |
| 220 | 2.6 | 50/60 | 540 | 300 | 630 |
| 230 | 2.5 | 50/60 | 540 | 300 | 630 |
| 240 | 2.4 | 50/60 | 540 | 300 | 630 |

| | |
|---|----------------------------|
| No Load Speed | 10000R/min |
| Net Weight | 1.4kg (3.1lbs) |
| Max.capacity: Depressed center wheel | 125(5")x22.3(7/8")x6(1/4") |

► Standard equipment

Lock Nut Wrench 35
 Depressed Center Wheel 125-24
 Grip 36 Complete

► Optional accessories

Depressed Center Wheel 125-24 Rubber Pad 115 Lock Nut 14-48
 Abrasive Disc 125-24, 30, 50, 80, 100, 120
 Inner Flange 47 Assembly (Super Flange)

► Repair

Corresponding to 9523NB

The Standard equipment for the tool shown here may differ from country to country.