

T ECHNICAL INFORMATION

Makita

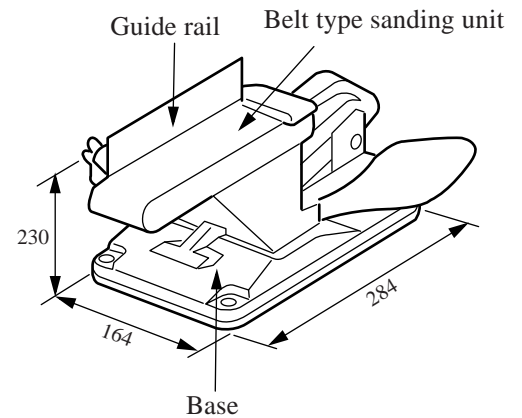
New Tool

Models No. ▶ 9924DB

Description ▶ Belt Sander Stand

CONCEPTION AND MAIN APPLICATIONS

This is the belt type sanding stand made up of a base and a guide rail for easily sanding small parts or deburring. This is offered as the special accessory for the 9900B, 9924B, 9924DB and M991 models.



▶ Specifications

Guide rail dimension	56 x 210 mm
Adjustable angle of the guide rail	45 to 90 to the belt surface
Grinding width	(Same as that of the sanding belt.)
Weight(kg)	

The standard equipment for the tools shown may differ from country to country